

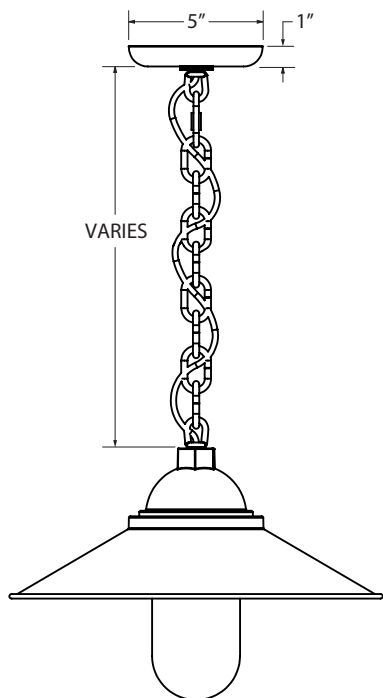
Order Example: BLE - S - C116 - 750 - ST736 - NA - HSC - WGG - 975 - SMK - LED16.8 - 2700K

A - MOUNTING STYLE	D - MOUNTING	D - MOUNTING (CONTINUED)	G - GUARD OPTION																														
<p><b>C</b> Cord Hung</p> <p><b>CN</b> Chain Hung</p> <p><b>F</b> Flush Mount</p> <p><b>G</b> Gooseneck</p> <p><b>S</b> Stem Mount</p> <p style="background-color: #4a5558; color: white; padding: 2px;"><b>B - SHADE SIZE</b></p> <p><i>THE SYRACUSE:</i></p> <p><b>C112</b> 12" Shade</p> <p><b>C114</b> 14" Shade</p> <p><b>C116</b> 16" Shade</p> <p><b>C118</b> 18" Shade</p> <p style="background-color: #4a5558; color: white; padding: 2px;"><b>C - SHADE FINISH</b></p> <p><i>PORCELAIN FINISHES<sup>1</sup>:</i></p> <p><b>150</b> Black</p> <p><b>250</b> White</p> <p><b>350</b> Vintage Green</p> <p><b>355</b> Jadite</p> <p><b>455</b> Cherry Red</p> <p><b>550</b> Yellow</p> <p><b>650</b> Bronze</p> <p><b>750</b> Cobalt Blue</p> <p><b>765</b> Delphite Blue</p> <p><b>850</b> Graphite</p> <p><b>950</b> Metallic Chrome</p>	<p><b>CSA LISTED CORD OPTIONS:</b></p> <p><b>SBK</b> Standard Black</p> <p><b>SWH</b> Standard White</p> <p><b>CSB</b> Black Cloth</p> <p><b>CSW</b> White Cloth</p> <p><b>CSR</b> Red Cloth</p> <p><b>CSBB</b> Black &amp; Brown Cloth</p> <p><b>CSRW</b> Red &amp; White Cloth</p> <p><b>CSGW</b> Gold &amp; White Cloth</p> <p><b>CSBG</b> Black &amp; Gold Cloth</p> <p><b>CSBW</b> Black &amp; White Cloth</p> <p><b>CSBP</b> Black &amp; Pink Cloth</p> <p><b>CSUW</b> Blue &amp; White Cloth</p> <p><i>NON-CSA LISTED CORD OPTIONS:</i></p> <p><b>CBK</b> Black Cotton</p> <p><b>CMG</b> Grey Cotton</p> <p><b>CRZ</b> Red Chevron</p> <p><b>TBK</b> Black Cotton Twist<sup>2</sup></p> <p><b>TWH</b> White Cotton Twist<sup>2</sup></p> <p><b>TBR</b> Brown Cotton Twist<sup>2</sup></p> <p><b>TRD</b> Red Cotton Twist<sup>2</sup></p> <p><b>TPT</b> Putty Cotton Twist<sup>2</sup></p> <p><b>TBW</b> Black &amp; White Twist<sup>2</sup></p> <p><b>TRW</b> Red &amp; White Twist<sup>2</sup></p> <p><b>TBB</b> Brown &amp; Beige Twist<sup>2</sup></p> <p><i>CHAIN MOUNT OPTIONS:</i></p> <p><b>CN36</b> 3' of Chain (Standard)</p> <p><b>CN48</b> 4' of Chain</p> <p><b>CN60</b> 5' of Chain</p> <p><b>CN72</b> 6' of Chain</p> <p><i>FLUSH MOUNT OPTIONS:</i></p> <p><b>FM</b></p> <p><i>GOOSENECK OPTIONS:</i></p> <table style="width: 100%;"> <tr><td><b>G1</b></td><td><b>G16</b></td></tr> <tr><td><b>G2</b></td><td><b>G17</b></td></tr> <tr><td><b>G3</b></td><td><b>G19</b></td></tr> <tr><td><b>G4</b></td><td><b>G22</b></td></tr> <tr><td><b>G5</b></td><td><b>G24</b></td></tr> <tr><td><b>G6</b></td><td><b>G25</b></td></tr> <tr><td><b>G7</b></td><td><b>G26</b></td></tr> <tr><td><b>G8</b></td><td><b>G32</b></td></tr> <tr><td><b>G9</b></td><td><b>G34</b></td></tr> <tr><td><b>G10</b></td><td><b>G35</b></td></tr> <tr><td><b>G11</b></td><td><b>G36</b></td></tr> <tr><td><b>G12</b></td><td><b>G40</b></td></tr> <tr><td><b>G13</b></td><td><b>G64</b></td></tr> <tr><td><b>G14</b></td><td><b>G65</b></td></tr> <tr><td><b>G15</b></td><td></td></tr> </table>	<b>G1</b>	<b>G16</b>	<b>G2</b>	<b>G17</b>	<b>G3</b>	<b>G19</b>	<b>G4</b>	<b>G22</b>	<b>G5</b>	<b>G24</b>	<b>G6</b>	<b>G25</b>	<b>G7</b>	<b>G26</b>	<b>G8</b>	<b>G32</b>	<b>G9</b>	<b>G34</b>	<b>G10</b>	<b>G35</b>	<b>G11</b>	<b>G36</b>	<b>G12</b>	<b>G40</b>	<b>G13</b>	<b>G64</b>	<b>G14</b>	<b>G65</b>	<b>G15</b>		<p><b>STEM MOUNT OPTIONS:</b></p> <p><b>ST506</b> .5" Stem Mount, 6"</p> <p><b>ST512</b> .5" Stem Mount, 12"</p> <p><b>ST518</b> .5" Stem Mount, 18"</p> <p><b>ST524</b> .5" Stem Mount, 24"</p> <p><b>ST536</b> .5" Stem Mount, 36"</p> <p><b>ST548</b> .5" Stem Mount, 48"</p> <p><b>ST706</b> .75" Stem Mount, 6"</p> <p><b>ST712</b> .75" Stem Mount, 12"</p> <p><b>ST718</b> .75" Stem Mount, 18"</p> <p><b>ST724</b> .75" Stem Mount, 24"</p> <p><b>ST736</b> .75" Stem Mount, 36"</p> <p><b>ST748</b> .75" Stem Mount, 48"</p> <p style="background-color: #4a5558; color: white; padding: 2px;"><b>E - CORDS<sup>3</sup></b></p> <p><b>NA</b> Not Applicable</p> <p><i>Please Note: See Section D for all applicable CSA Listed Cord Options. Non-CSA Listed Cord Options for Chain Hung Mounting Style limited to: Black Cotton [CBK], Red Chevron [CRZ] and Grey Cotton [CMG]</i></p> <p style="background-color: #4a5558; color: white; padding: 2px;"><b>F - MOUNTING ACCESSORY</b></p> <p><b>NA</b> None/Not Applicable</p> <p><b>HSC</b> Hang Straight Canopy<sup>4</sup></p> <p><b>HDSMC</b> Heavy Duty Stem Mount Canopy<sup>4</sup></p> <p><b>DD</b> Dusk-to-Dawn Photocell<sup>5</sup></p>	<p><b>NA</b> None/No Guard</p> <p><b>WGG</b> Wire Guard</p> <p><b>CGG</b> Standard Cast Guard</p> <p><b>TGG</b> Heavy Duty Cast Guard</p> <p style="background-color: #4a5558; color: white; padding: 2px;"><b>H - GUARD FINISH</b></p> <p><i>Please Note: See Section C for all Guard Finish options. If no guard selected in Section G, select NA. Finish 975-Galvanized is also available. If Porcelain Finish selected, guard will be powder coat painted-to-match.</i></p> <p><b>NA</b> Not Applicable</p> <p><b>975</b> Galvanized</p> <p style="background-color: #4a5558; color: white; padding: 2px;"><b>I - GLASS OPTIONS</b></p> <p><b>CLR</b> Clear Glass<sup>6</sup></p> <p><b>FST</b> Frosted Glass</p> <p><b>RIB</b> Ribbed Glass</p> <p><b>CCR</b> Clear Crackle Glass</p> <p><b>SMK</b> Smoke Crackle Glass</p> <p><b>HCR</b> Honey Crackle Glass</p> <p style="background-color: #4a5558; color: white; padding: 2px;"><b>J - LIGHT SOURCE</b></p> <p><b>E26</b> 100 Watt Max</p> <p><b>GU24</b> 24 Bi-Pin, 18W Max<sup>7</sup></p> <p><b>LED16.8</b> 1600 Lumen, 16W LED</p> <p style="background-color: #4a5558; color: white; padding: 2px;"><b>K - COLOR TEMPERATURE<sup>8</sup></b></p> <p><b>NA</b> Not Applicable</p> <p><b>2700K</b> 2700K, Warm White</p> <p><b>3000K</b> 3000K, Neutral White</p> <p><b>3500K</b> 3500K, Bright White</p> <p><b>4000K</b> 4000K, Cool White</p>
<b>G1</b>	<b>G16</b>																																
<b>G2</b>	<b>G17</b>																																
<b>G3</b>	<b>G19</b>																																
<b>G4</b>	<b>G22</b>																																
<b>G5</b>	<b>G24</b>																																
<b>G6</b>	<b>G25</b>																																
<b>G7</b>	<b>G26</b>																																
<b>G8</b>	<b>G32</b>																																
<b>G9</b>	<b>G34</b>																																
<b>G10</b>	<b>G35</b>																																
<b>G11</b>	<b>G36</b>																																
<b>G12</b>	<b>G40</b>																																
<b>G13</b>	<b>G64</b>																																
<b>G14</b>	<b>G65</b>																																
<b>G15</b>																																	

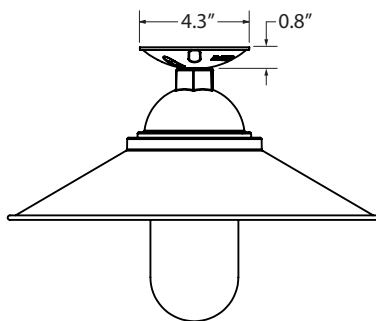
**IMPORTANT:** (1) All Porcelain Enamel finished shades feature a white interior and black outer rim (2) Not applicable if LED16.8 Light Source selected in Section J (3) Only applicable if Chain Hung Mounting Style selected in Section A, select NA if another Mounting Style is selected (4) Only applicable if Stem Mount Mounting Style selected in Section A (5) Only applicable if Gooseneck Mounting Style selected in Section A (6) Clear Glass not recommended if LED16.8 Light Source selected in Section J (7) Fixtures configured with a GU24 socket are non-returnable (8) Selection only applicable if LED16.8 Light Source selected in Section J

**MOUNTING STYLE**

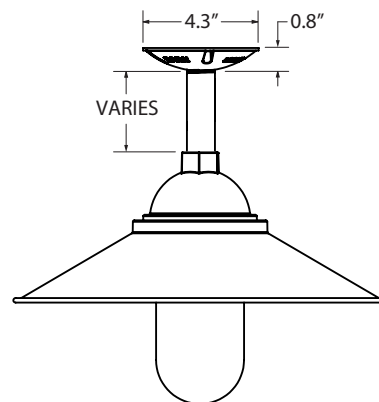
**CHAIN HUNG PENDANT (CN)**



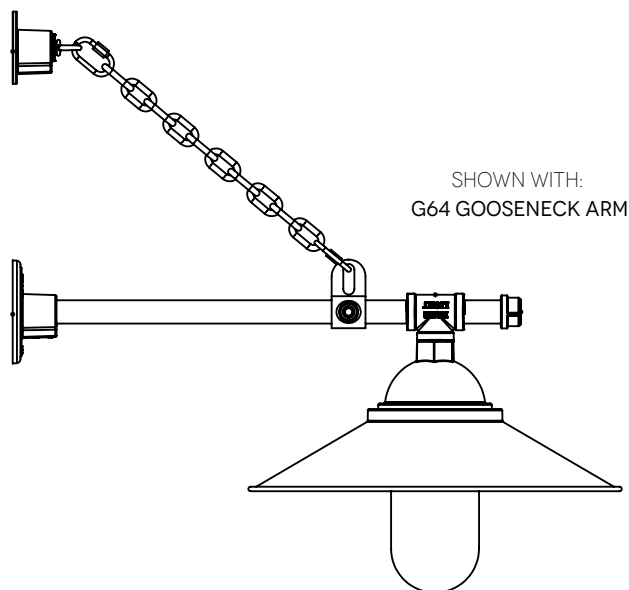
**FLUSH MOUNT (F)**



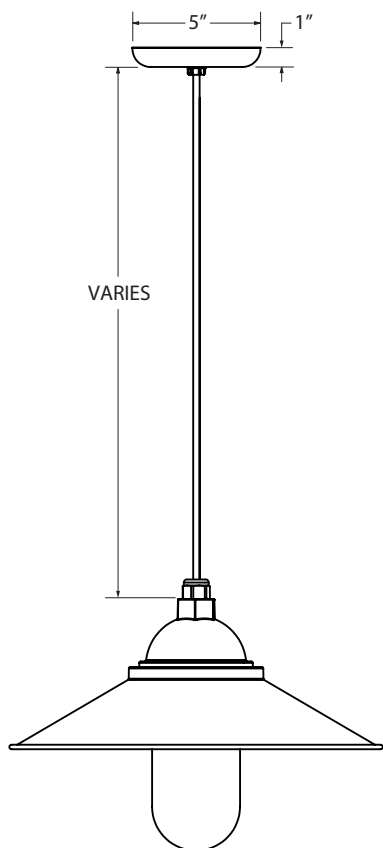
**STEM MOUNT PENDANT (S)**



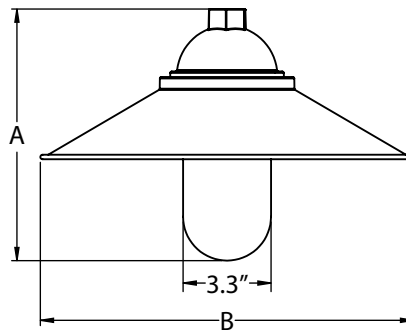
**GOOSENECK (G)**



**CORD HUNG PENDANT (C)**



**AVAILABLE SHADE SIZES**



SHADE CODE	HEIGHT (A)	DIAMETER (B)
C12	10.25"	12"
C14	10.25"	14"
C16	10.25"	16"
C18	10.25"	18"

**LIGHT SOURCE**

All published luminaire photometric testing performed to IESNA LM-79-08 standards by a NVLAP accredited laboratory. Data is considered to be representative of the configurations shown, within the tolerances allowed by Lighting Facts. To obtain an IES file specific to your project, please contact the factory.

OPTION	WATTAGE	LUMENS <small>*Avg. value, actual value dependent on bulb used</small>	CRI	VOLTAGE	DIMMING
<b>INCANDESCENT (MED E26)</b>					
<b>E26</b>	100W Max	1600*	100*	120 VAC	Bulb Dependant
<b>COMPACT FLOURESCENT (GU24 CFL)</b>					
<b>GU24</b>	18W Max	1600*	75*	120 VAC	Bulb Dependant
<b>LED</b>					
<b>LED16.8</b>	16.8W	1600	>90	120 VAC	TRIAC

**SPECIFICATIONS**

**MOUNTING**

**STEM**  
1/2" Nominal (0.84" Actual) or 3/4" Nominal (1.05" Actual) Sch 40, 6063 Aluminum Mounting Stem. Custom Lengths Available upon Request.

**GOOSENECK**  
1/2" Nominal (0.84" Actual) or 3/4" Nominal (1.05" Actual) Sch 40, 6063 Aluminum Gooseneck

**CORD**  
Cord-hung Pendants Include 7' Of Standard Cord Or 5' Of Cotton Cord, +/- For Socket Orientation

**CERTIFICATIONS, LISTINGS & WARRANTY**

**MADE IN THE USA**  
Manufactured and Hand-Crafted in Our 60,000 Square Foot Facility Located in Titusville, FL

**CSA LISTED FOR WET LOCATIONS**  
Includes all Stem and Gooseneck Mounting Styles

**CSA LISTED FOR DAMP LOCATIONS**  
Includes all Chain and select Cord Hung Mounting Styles

**LIMITED WARRANTY**  
For Additional Information on Our Limited Warranty, Please See Our Terms & Conditions

**LED SPECIFICATIONS**

**LUMEN MAINTENANCE**  
LED16.8 Source is L90(11K) > 61,000 Hours.

**COLOR TEMPERATURES**  
Standard Color Temperatures Available Include 2700K, 3000K, 3500K and 4000K. Custom Temperatures Available upon Request.

**CRI**  
Minimum 90 CRI. Consult Factory for Other CRI Options

**EFFICACY**  
Delivers over 95 Lumens per Watt

**DRIVER & DIMMING OPTION**  
Reliant on Triac Dimming 16.8W / 120V, Dimmable down to 1% Depending on Dimmer. Requires Compatible Dimming Switch.

**SHADE & FINISHES**

**THE SYRACUSE PORCELAIN SHADE**  
Hand-Spun from 20 Guage Sheet Metal

**PORCELAIN FINISHES**  
Applied by Hand and Fired in a High Temperature Oven