

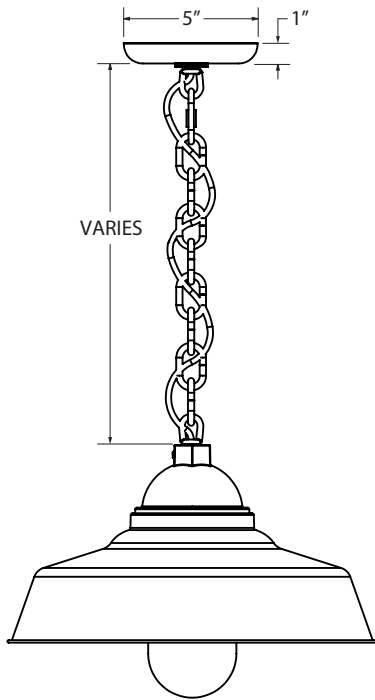
Order Example: BLE - G - S114 - 350 - G15 - NA - DD - CGG - 975 - FST - GU24 - NA

A - MOUNTING STYLE	D - MOUNTING	D - MOUNTING (CONTINUED)	G - GUARD OPTION																														
<p>C Cord Hung</p> <p>CN Chain Hung</p> <p>F Flush Mount</p> <p>G Gooseneck</p> <p>S Stem Mount</p> <p style="background-color: #4a5558; color: white; padding: 2px;">B - SHADE SIZE</p> <p><i>THE ROCHESTER:</i></p> <p>S112 12" Shade</p> <p>S114 14" Shade</p> <p>S116 16" Shade</p> <p>S118 18" Shade</p> <p style="background-color: #4a5558; color: white; padding: 2px;">C - SHADE FINISH</p> <p><i>PORCELAIN FINISHES¹:</i></p> <p>150 Black</p> <p>250 White</p> <p>350 Vintage Green</p> <p>355 Jadite</p> <p>455 Cherry Red</p> <p>550 Yellow</p> <p>650 Bronze</p> <p>750 Cobalt Blue</p> <p>765 Delphite Blue</p> <p>850 Graphite</p> <p>950 Metallic Chrome</p>	<p>CSA LISTED CORD OPTIONS:</p> <p>SBK Standard Black</p> <p>SWH Standard White</p> <p>CSB Black Cloth</p> <p>CSW White Cloth</p> <p>CSR Red Cloth</p> <p>CSBB Black & Brown Cloth</p> <p>CSRW Red & White Cloth</p> <p>CSGW Gold & White Cloth</p> <p>CSBG Black & Gold Cloth</p> <p>CSBW Black & White Cloth</p> <p>CSBP Black & Pink Cloth</p> <p>CSUW Blue & White Cloth</p> <p><i>NON-CSA LISTED CORD OPTIONS:</i></p> <p>CBK Black Cotton</p> <p>CMG Grey Cotton</p> <p>CRZ Red Chevron</p> <p>TBK Black Cotton Twist[†]</p> <p>TWH White Cotton Twist[†]</p> <p>TBR Brown Cotton Twist[†]</p> <p>TRD Red Cotton Twist[†]</p> <p>TPT Putty Cotton Twist[†]</p> <p>TBW Black & White Twist[†]</p> <p>TRW Red & White Twist[†]</p> <p>TBB Brown & Beige Twist[†]</p> <p><i>CHAIN MOUNT OPTIONS:</i></p> <p>CN36 3' of Chain (Standard)</p> <p>CN48 4' of Chain</p> <p>CN60 5' of Chain</p> <p>CN72 6' of Chain</p> <p><i>FLUSH MOUNT OPTIONS:</i></p> <p>FM</p> <p><i>GOOSENECK OPTIONS:</i></p> <table style="width: 100%;"> <tr><td>G1</td><td>G16</td></tr> <tr><td>G2</td><td>G17</td></tr> <tr><td>G3</td><td>G19</td></tr> <tr><td>G4</td><td>G22</td></tr> <tr><td>G5</td><td>G24</td></tr> <tr><td>G6</td><td>G25</td></tr> <tr><td>G7</td><td>G26</td></tr> <tr><td>G8</td><td>G32</td></tr> <tr><td>G9</td><td>G34</td></tr> <tr><td>G10</td><td>G35</td></tr> <tr><td>G11</td><td>G36</td></tr> <tr><td>G12</td><td>G40</td></tr> <tr><td>G13</td><td>G64</td></tr> <tr><td>G14</td><td>G65</td></tr> <tr><td>G15</td><td></td></tr> </table>	G1	G16	G2	G17	G3	G19	G4	G22	G5	G24	G6	G25	G7	G26	G8	G32	G9	G34	G10	G35	G11	G36	G12	G40	G13	G64	G14	G65	G15		<p>STEM MOUNT OPTIONS:</p> <p>ST506 .5" Stem Mount, 6"</p> <p>ST512 .5" Stem Mount, 12"</p> <p>ST518 .5" Stem Mount, 18"</p> <p>ST524 .5" Stem Mount, 24"</p> <p>ST536 .5" Stem Mount, 36"</p> <p>ST548 .5" Stem Mount, 48"</p> <p>ST706 .75" Stem Mount, 6"</p> <p>ST712 .75" Stem Mount, 12"</p> <p>ST718 .75" Stem Mount, 18"</p> <p>ST724 .75" Stem Mount, 24"</p> <p>ST736 .75" Stem Mount, 36"</p> <p>ST748 .75" Stem Mount, 48"</p> <p style="background-color: #4a5558; color: white; padding: 2px;">E - CORDS³</p> <p>NA Not Applicable</p> <p><i>Please Note: See Section D for all applicable CSA Listed Cord Options. Non-CSA Listed Cord Options for Chain Hung Mounting Style limited to: Black Cotton [CBK], Red Chevron [CRZ] and Grey Cotton [CMG]</i></p> <p style="background-color: #4a5558; color: white; padding: 2px;">F - MOUNTING ACCESSORY</p> <p>NA None/Not Applicable</p> <p>HSC Hang Straight Canopy[†]</p> <p>HDSMC Heavy Duty Stem Mount Canopy[†]</p> <p>DD Dusk-to-Dawn Photocell[†]</p>	<p>NA None/No Guard</p> <p>WGG Wire Guard</p> <p>CGG Standard Cast Guard</p> <p>TGG Heavy Duty Cast Guard</p> <p style="background-color: #4a5558; color: white; padding: 2px;">H - GUARD FINISH</p> <p><i>Please Note: See Section C for all Guard Finish options. If no guard selected in Section G, select NA. Finish 975-Galvanized is also available. If Porcelain Finish selected, guard will be powder coat painted-to-match.</i></p> <p>NA Not Applicable</p> <p>975 Galvanized</p> <p style="background-color: #4a5558; color: white; padding: 2px;">I - GLASS OPTIONS</p> <p>CLR Clear Glass[†]</p> <p>FST Frosted Glass</p> <p>RIB Ribbed Glass</p> <p>CCR Clear Crackle Glass</p> <p>SMK Smoke Crackle Glass</p> <p>HCR Honey Crackle Glass</p> <p style="background-color: #4a5558; color: white; padding: 2px;">J - LIGHT SOURCE</p> <p>E26 100 Watt Max</p> <p>GU24 24 Bi-Pin, 18W Max⁷</p> <p>LED16.8 1600 Lumen, 16W LED</p> <p style="background-color: #4a5558; color: white; padding: 2px;">K - COLOR TEMPERATURE⁸</p> <p>NA Not Applicable</p> <p>2700K 2700K, Warm White</p> <p>3000K 3000K, Neutral White</p> <p>3500K 3500K, Bright White</p> <p>4000K 4000K, Cool White</p>
G1	G16																																
G2	G17																																
G3	G19																																
G4	G22																																
G5	G24																																
G6	G25																																
G7	G26																																
G8	G32																																
G9	G34																																
G10	G35																																
G11	G36																																
G12	G40																																
G13	G64																																
G14	G65																																
G15																																	

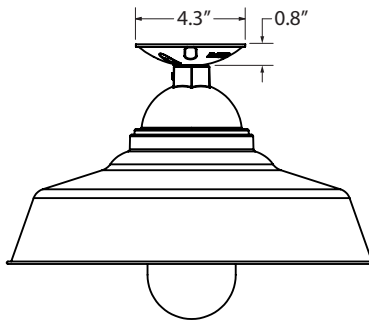
IMPORTANT: (1) All Porcelain Enamel finished shades feature a white interior and black outer rim (2) Not applicable if LED16.8 Light Source selected in Section J (3) Only applicable if Chain Hung Mounting Style selected in Section A, select NA if another Mounting Style is selected (4) Only applicable if Stem Mount Mounting Style selected in Section A (5) Only applicable if Gooseneck Mounting Style selected in Section A (6) Clear Glass not recommended if LED16.8 Light Source selected in Section J (7) Fixtures configured with a GU24 socket are non-returnable (8) Selection only applicable if LED16.8 Light Source selected in Section J

MOUNTING STYLE

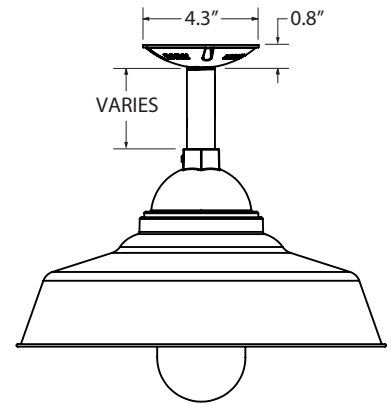
CHAIN HUNG PENDANT (CN)



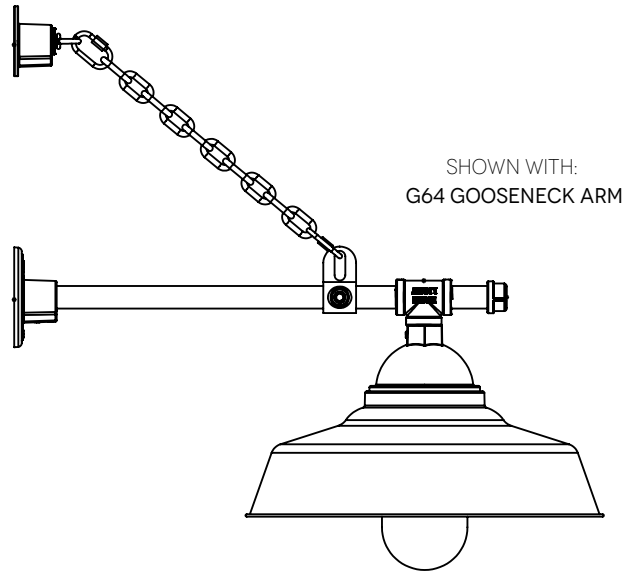
FLUSH MOUNT (F)



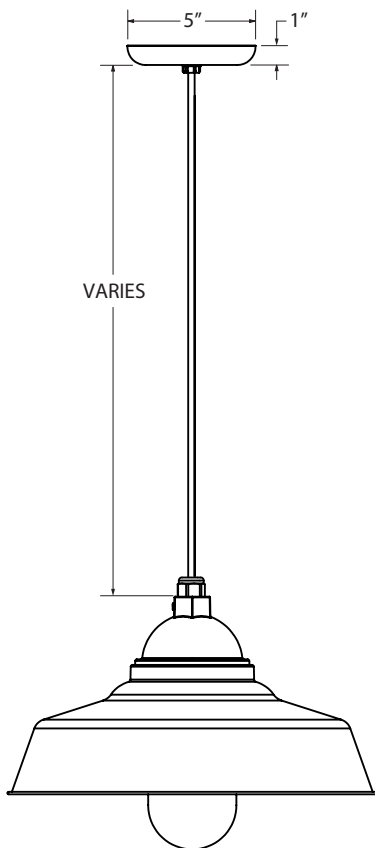
STEM MOUNT PENDANT (S)



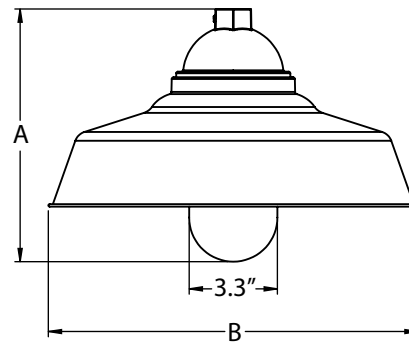
GOOSENECK (G)



CORD HUNG PENDANT (C)



AVAILABLE SHADE SIZES



SHADE CODE	HEIGHT (A)	DIAMETER (B)
S112	10.25"	12"
S114	10.25"	14"
S116	10.25"	16"
S118	10.25"	18"

LIGHT SOURCE

All published luminaire photometric testing performed to IESNA LM-79-08 standards by a NVLAP accredited laboratory. Data is considered to be representative of the configurations shown, within the tolerances allowed by Lighting Facts. To obtain an IES file specific to your project, please contact the factory.

OPTION	WATTAGE	LUMENS <small>*Avg. value, actual value dependent on bulb used</small>	CRI	VOLTAGE	DIMMING
INCANDESCENT (MED E26)					
E26	100W Max	1600*	100*	120 VAC	Bulb Dependant
COMPACT FLOURESCENT (GU24 CFL)					
GU24	18W Max	1600*	75*	120 VAC	Bulb Dependant
LED					
LED16.8	16.8W	1600	>90	120 VAC	TRIAC

SPECIFICATIONS

MOUNTING

STEM
1/2" Nominal (0.84" Actual) or 3/4" Nominal (1.05" Actual) Sch 40, 6063 Aluminum Mounting Stem. Custom Lengths Available upon Request.

GOOSENECK
1/2" Nominal (0.84" Actual) or 3/4" Nominal (1.05" Actual) Sch 40, 6063 Aluminum Gooseneck

CORD
Cord-hung Pendants Include 7' Of Standard Cord Or 5' Of Cotton Cord, +/- For Socket Orientation

CERTIFICATIONS, LISTINGS & WARRANTY

MADE IN THE USA
Manufactured and Hand-Crafted in Our 60,000 Square Foot Facility Located in Titusville, FL

CSA LISTED FOR WET LOCATIONS
Includes all Stem and Gooseneck Mounting Styles

CSA LISTED FOR DAMP LOCATIONS
Includes all Chain and select Cord Hung Mounting Styles

LIMITED WARRANTY
For Additional Information on Our Limited Warranty, Please See Our Terms & Conditions

LED SPECIFICATIONS

LUMEN MAINTENANCE
LED16.8 Source is L90(11K) > 61,000 Hours.

COLOR TEMPERATURES
Standard Color Temperatures Available Include 2700K, 3000K, 3500K and 4000K. Custom Temperatures Available upon Request.

CRI
Minimum 90 CRI. Consult Factory for Other CRI Options

EFFICACY
Delivers over 95 Lumens per Watt

DRIVER & DIMMING OPTION
Reliant on Triac Dimming 16.8W / 120V, Dimmable down to 1% Depending on Dimmer. Requires Compatible Dimming Switch.

SHADE & FINISHES

THE ROCHESTER PORCELAIN SHADE
Hand-Spun from 20 Guage Sheet Metal

PORCELAIN FINISHES
Applied by Hand and Fired in a High Temperature Oven