



REV 10.16.18

THE HITCHEN POST WAREHOUSE GOOSENECK

LIGHT

BARN LIGHT RLM COLLECTION

Max Weight: 10.0 lbs

PROJECT NAME _____

PROJECT TYPE _____

SPS-0215

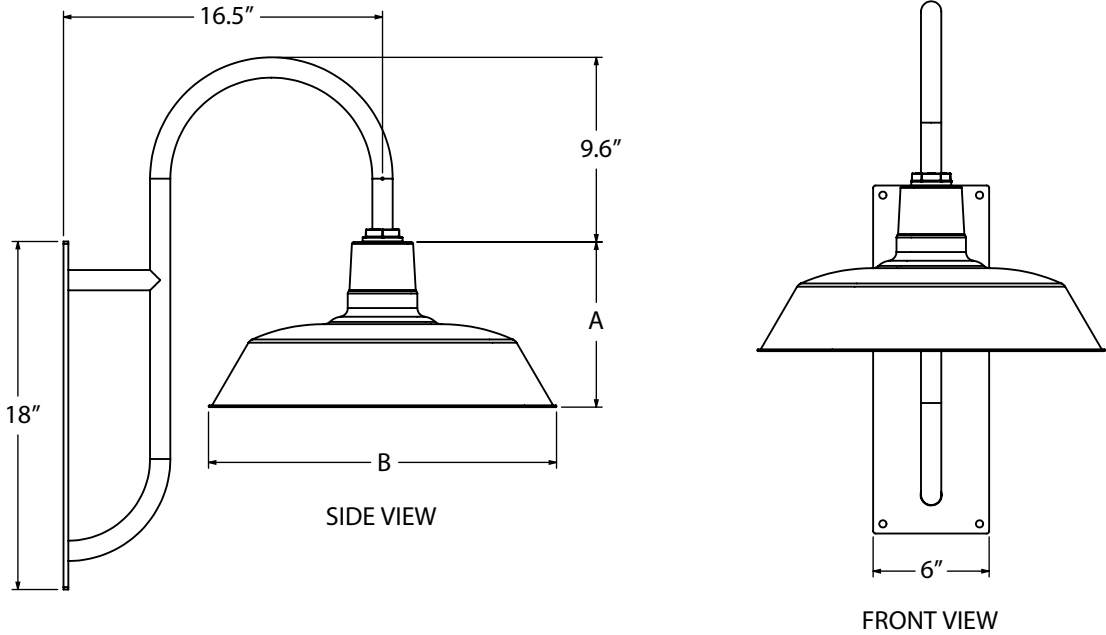


Order Example: BLE - G - WHS18 - 998 - G19 - 980 - TGG - FST - 975 - E26

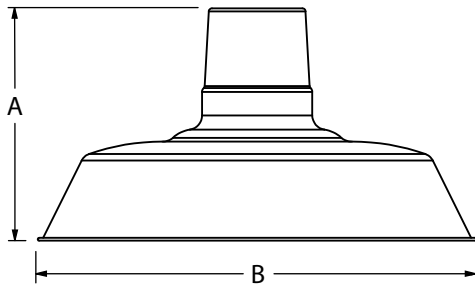
| | | | |
|---|--|--|--|
| <p>A - SHADE SIZE</p> <p>THE HITCHEN POST:</p> <p>WHS16 16" Shade WHS18 18" Shade WHS20 20" Shade</p> <p>B - SHADE FINISH</p> <p>POWDER COAT FINISHES¹:</p> <p>100 Black 105 Textured Black 200 White 300 Dark Green 307 Emerald Green 311 Jadite 370 Mint 380 Chartreuse 390 Teal 400 Barn Red 420 Orange 470 Watermelon 480 Blush Pink 490 Magenta 500 Buttery Yellow 570 Sunflower 600 Bronze</p> | <p>B - SHADE FINISH (CONTINUED)</p> <p>POWDER COAT FINISHES¹:</p> <p>601 Chocolate 605 Rust 615 Oil-Rubbed Bronze 700 Royal Blue 705 Navy 710 Cobalt Blue 715 Delphite Blue 800 Industrial Grey 805 Charcoal Granite 810 Graphite 975 Galvanized</p> <p>NATURAL FINISHES²:</p> <p>995 Raw Copper 996 Weathered Copper 997 Raw Brass 998 Weathered Brass 999 Oil-Rubbed Copper</p> | <p>C - GOOSENECK ARM FINISH</p> <p><i>Please Note: See Section B for all applicable Gooseneck Arm finishes. (I) Gooseneck not available in Natural Finishes (II) Finish 980-Brushed Aluminum also available</i></p> <p>980 Brushed Aluminum</p> <p>D - OPTIONAL ACCESSORY</p> <p>NA None/No Accessory WC Wire Cage TGG Heavy Duty Guard³ CGG Cast Guard³ WGG Wire Guard³</p> <p>E - GLASS OPTIONS⁴</p> <p>NA Not Applicable CLR Clear Glass³ FST Frosted Glass³ RIB Ribbed Glass³ CCR Clear Crackle Glass³ SMK Smoke Crackle Glass³ HCR Honey Crackle Glass³</p> | <p>F - OPTIONAL ACCESSORY FINISH</p> <p><i>Please Note: See Section B for all applicable Accessory finishes. (I) Accessory not available in Natural Finishes (II) If no accessory selected in Section E, select NA</i></p> <p>NA Not Applicable</p> <p>G - SOCKET TYPE</p> <p>E26 200 Watt Max³ GU24 GU24 Bi-Pin, 23W Max^{3,5}</p> |
|---|--|--|--|

IMPORTANT: (1) All Powder Coat finished shades, Galvanized excluded, feature a white interior (2) Natural Finishes have a longer estimated manufacturing time, please check the website for exact lead time. There are no returns accepted on Natural Finishes (3) Guard and Glass accessory reduces incandescent wattage to 100W Max and GU24 Bi-Pin to 18W Max (4) Selection only applicable if a guard is selected in Section E, select NA if no guard is selected (5) Fixtures configured with GU24 socket are non-returnable

DIMENSIONAL DRAWING



AVAILABLE SHADE SIZES



| SHADE CODE | HEIGHT (A) | DIAMETER (B) |
|------------|------------|--------------|
| WHS16 | 7.75" | 16" |
| WHS18 | 8.5" | 18" |
| WHS20 | 9.25" | 20" |

LIGHT SOURCE

All published luminaire photometric testing performed to IESNA LM-79-08 standards by a NVLAP accredited laboratory. Data is considered to be representative of the configurations shown, within the tolerances allowed by Lighting Facts. To obtain an IES file specific to your project, please contact the factory.

| OPTION | WATTAGE | LUMENS <small>*Avg. value, actual value dependent on bulb used</small> | CRI | VOLTAGE | DIMMING |
|---------------------------------------|----------|---|------|---------|----------------|
| INCANDESCENT (MED E26) | | | | | |
| E26 | 200W Max | *3000 | *100 | 120 VAC | Bulb Dependant |
| COMPACT FLOURESCENT (GU24 CFL) | | | | | |
| GU24 | 23W Max | *1600 | *75 | 120 VAC | Bulb Dependant |

SPECIFICATIONS

MOUNTING

GOOSENECK
3/4" Nominal (1.05" Actual) Sch 40, 6063 Aluminum Gooseneck Mounting

CERTIFICATIONS, LISTINGS & WARRANTY

MADE IN THE USA
Manufactured and Hand-Crafted in Our 60,000 Square Foot Facility Located in Titusville, FL

CSA LISTED FOR WET LOCATIONS

LIMITED WARRANTY
For Additional Information on Our Limited Warranty, Please See Our Terms & Conditions

SHADE & FINISHES

HITCHEN POST SHADE
Powder Coat Finished Shade: Hand-Spun from High Purity 0.050" Thick 3003-O Temper Aluminum

POWDER COAT FINISHES
Polyester Powder Coat Finishes Are Electro-Statically Applied and Thermocured