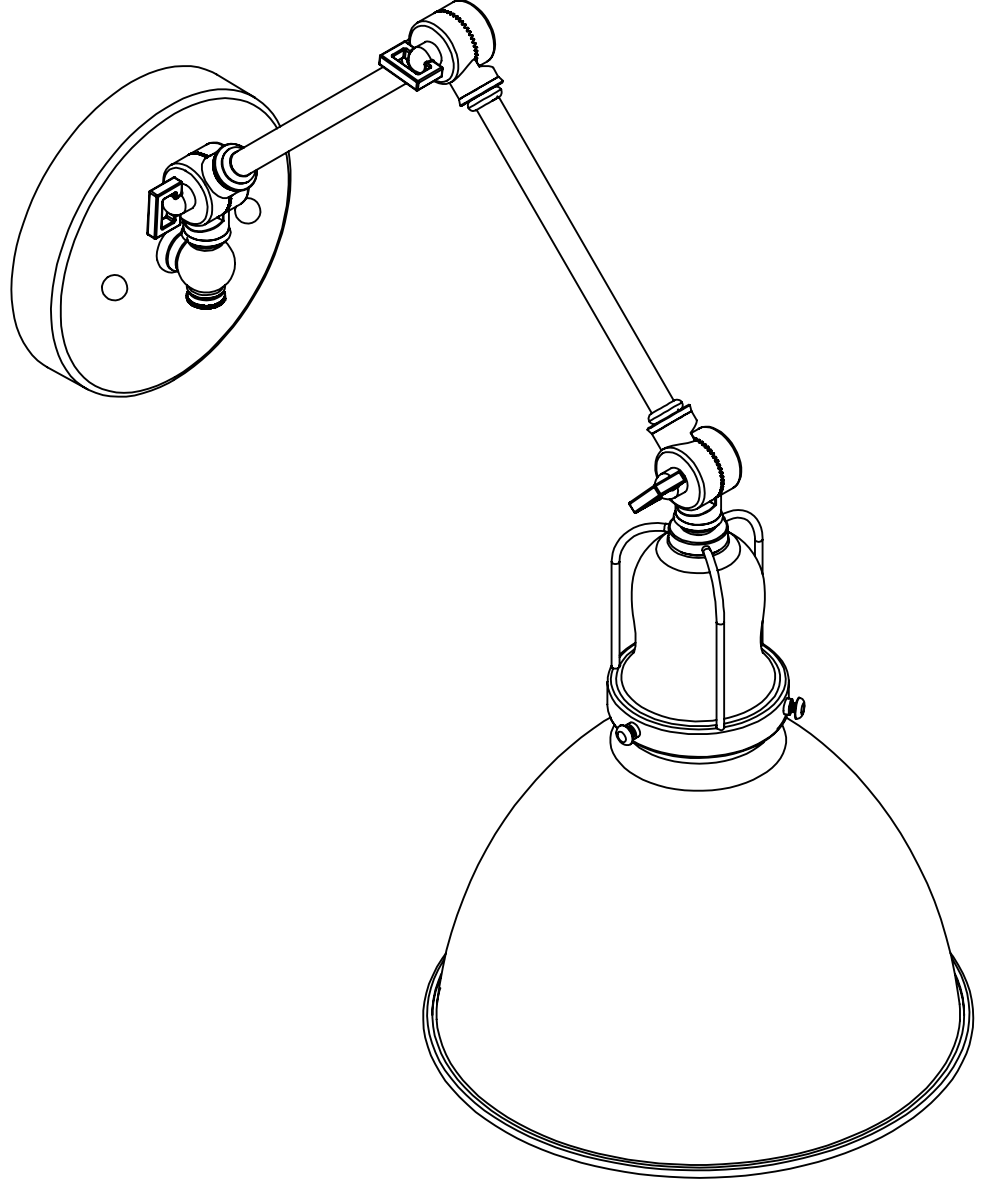
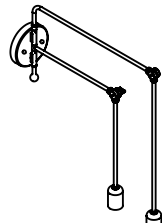
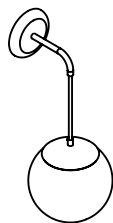


BARN LIGHT

CUSTOM WALL SCONCE CATALOG





WHY CHOOSE BARN LIGHT CUSTOM FIXTURES?

MADE IN USA

All of our custom fixtures are crafted in our 50,000-square-foot, Florida-based manufacturing facility. Completing this process in the United States gives us unrestricted control over the quality of the materials used in the construction of our products. We utilize only solid, commercial-grade materials to create the longest lasting fixtures currently available. Whether it is a modification to an existing product or a completely new design, our in-house Engineering team will work with you to make sure your fixture becomes a reality.

HANDCRAFTED

Our shades are spun on a lathe by skilled craftsmen who manipulate flat pieces of metal — including steel, aluminum, brass, and copper — around a mold by hand into the desired shape. The prep work, application of finishes, and assembly are also hands-on tasks completed by our workforce of more than 120 people. This meticulous attention to the finer details ensures a level of durability not found in machine-made alternatives.

FINISHES

Barn Light is the only company crafting lights from porcelain enamel — a material known for its durable, high-gloss finish — completely in the United States. Although popular in the early 20th century, porcelain enamel disappeared from the lighting industry with the introduction of cheaper manufacturing techniques. Reviving this time-honored process, our solid-steel shades are coated in three layers of porcelain enamel glass and fired in an Italian-made oven. This material offers an additional layer of protection to our products helping us provide years of service in both interior and exterior locations. Available in 11 different colors, our shades adopt unique branded identities and elevate commercial décors. Other hand-applied finish options include powder coat, natural finishes for copper and brass shades, and a creative drip-paint technique used in the creation of our Pollock Collection.

SHORT LEAD TIMES

Unlike other companies whose lead times on custom-made orders are extensively long, our custom orders are manufactured efficiently and shipped quickly. This is beneficial to architects, builders, designers, and other professionals who want high quality, fully customized lighting while remaining on target with deadlines and budgets. Initial concept design drawings and spec sheets are typically produced in three to five days. After design is approved and fixture order is placed, lead times range between four to six weeks.

CUSTOMER SERVICE

Our award-winning customer service team (“Best in Service” by Houzz for three years in a row!) provides quick responses to questions about custom orders or regarding the status of pre-existing order. Assistance is available via our toll-free phone number, through a web-based Live Chat located on our Home Page, or over email. Consider contacting our knowledgeable and dedicated sales representatives who will personally guide you through this process.



Type	
Project Name	
Notes	

CUSTOM LIGHTING FIXTURE REQUEST FORM

CONTACT INFORMATION:

Name:	Email:
Company:	Phone:

GENERAL INFORMATION:

Customer Type: <input type="checkbox"/> Residential <input type="checkbox"/> Commercial	Number of Fixtures:
Budget (Provide Budget for Each Fixture or Project Total):	
Describe the Application/Business Case (please be as descriptive as possible):	

FIXTURE INFORMATION:

Mounting Type: <input type="checkbox"/> Gooseneck <input type="checkbox"/> Stem Mount <input type="checkbox"/> Cord Hung <input type="checkbox"/> Chain Hung <input type="checkbox"/> Sconce <input type="checkbox"/> Chandelier <input type="checkbox"/> Other
If "other", Please Describe:
Please Describe the Fixture Construction/Design (materials, finishes,):
*Please attach any drawings, sketches or photos with a brief description that may help us better understand the fixture requirements.
Please Describe any Dimensional Considerations (e.g. overall dimensions, width, depth, projection):
Fixture Weight Requirement (describe any weight issues that might impact design, e.g. maximum weight):
Additional Fixture Information (e.g. ceiling height, attachment of components, etc.):

ENVIRONMENTAL INFORMATION:

Fixture Location: <input type="checkbox"/> Indoor <input type="checkbox"/> Outdoor	Location Type: <input type="checkbox"/> Dry <input type="checkbox"/> Damp <input type="checkbox"/> Wet
Additional Environmental Information (Please be as Descriptive as Possible):	

ELECTRICAL INFORMATION:

Supply Voltage: <input type="checkbox"/> 120 VAC <input type="checkbox"/> 277 VAC <input type="checkbox"/> 347 VAC <input type="checkbox"/> 480 VAC <input type="checkbox"/> Other _____
Lamp Type and Wattage (specify quantity, lamp type, socket type and wattage):
Dimming Requirements: <input type="checkbox"/> Yes <input type="checkbox"/> No If "yes", please select: <input type="checkbox"/> 0-10V <input type="checkbox"/> Triac
Safety Requirements: <input type="checkbox"/> Yes <input type="checkbox"/> No If "yes", please describe:
On/Off Switch Required: <input type="checkbox"/> Yes <input type="checkbox"/> No If "yes", please describe type and location:
NEMA Plug Required: <input type="checkbox"/> Yes <input type="checkbox"/> No If "yes", Please describe type, length needed, etc.:



CUSTOM WALL SCONCE: #198

SPECIFICATIONS:

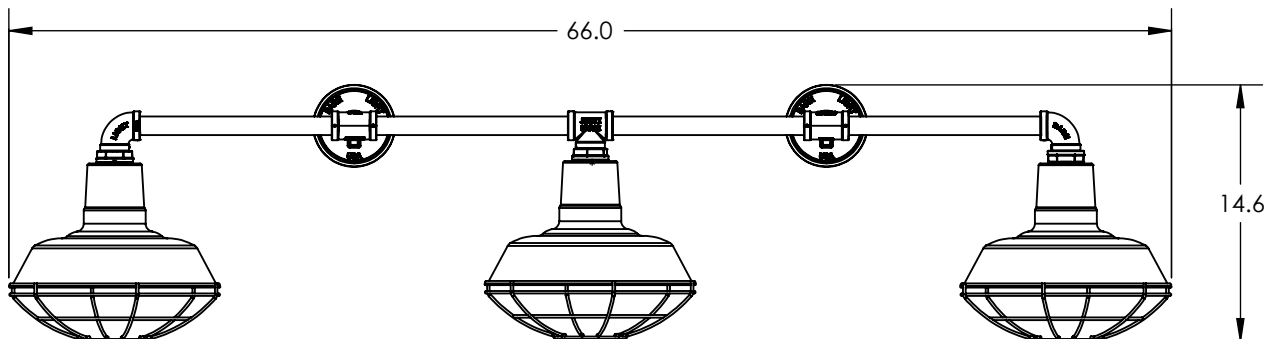
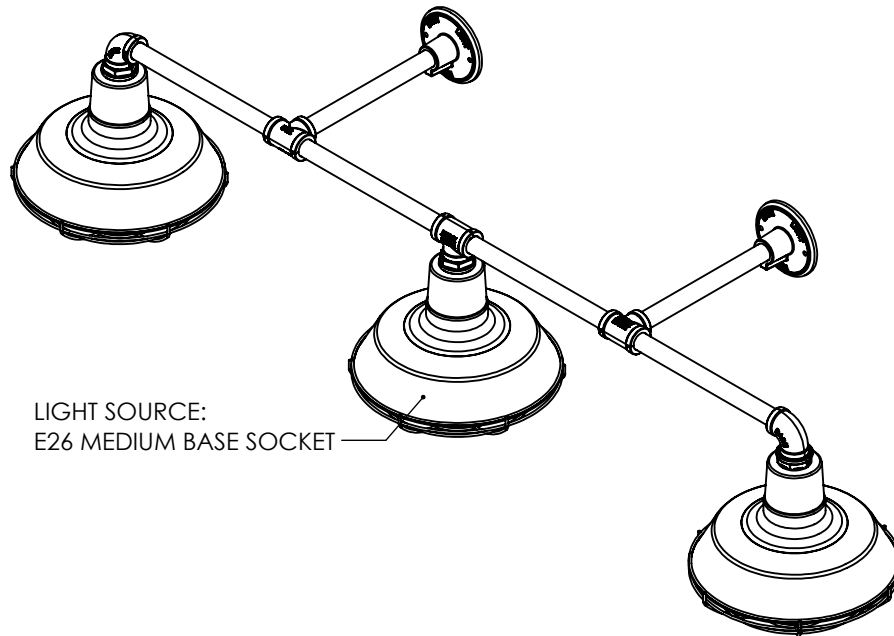
GENERAL:

- Suitable for Wet Locations
- Made in USA, Manufactured and Hand-Crafted in Titusville, Florida
- CSA Listed (US & Canada)

LIGHT SOURCE:

- E26 Medium Base Socket
- 200 Watt Max Per Socket

DIMENSIONAL DRAWINGS





CUSTOM WALL SCONCE: #198

FIXTURE RENDERINGS





CUSTOM WALL SCONCE: #205

SPECIFICATIONS:

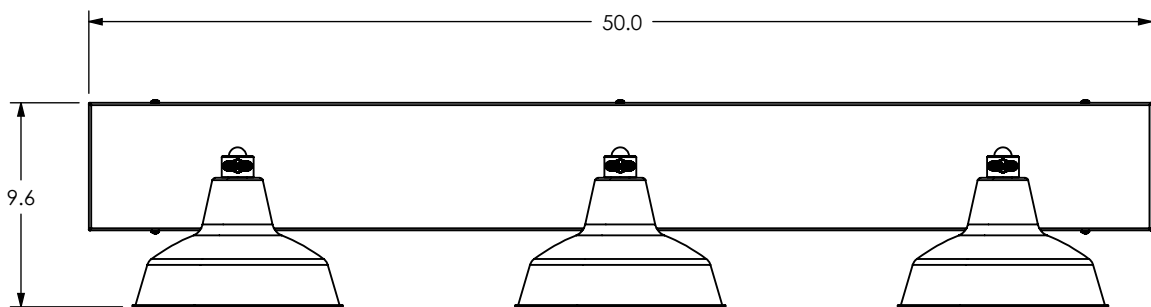
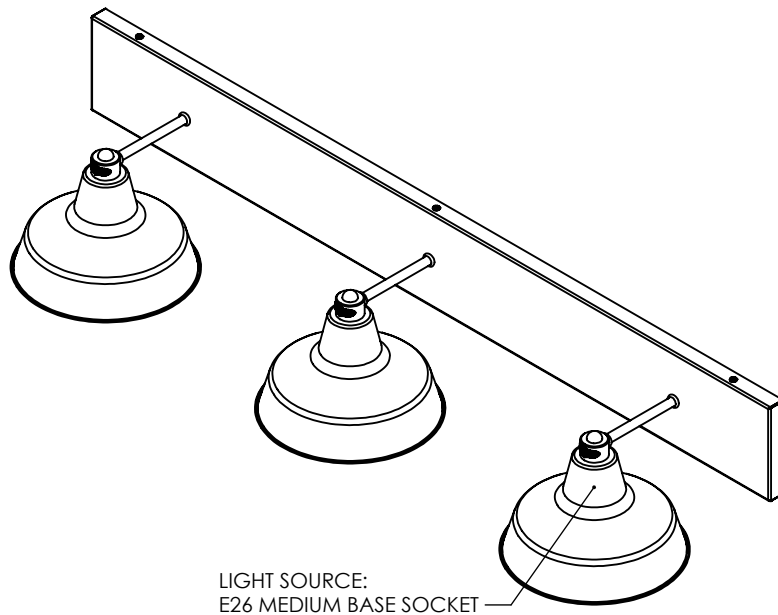
GENERAL:

- Suitable for Damp Locations
- Made in USA, Manufactured and Hand-Crafted in Titusville, Florida
- CSA Listed (US & Canada)

LIGHT SOURCE:

- E26 Medium Base Socket
- 200 Watt Max Per Socket

DIMENSIONAL DRAWINGS





CUSTOM WALL SCONCE: #205

FIXTURE RENDERINGS





CUSTOM WALL SCONCE: #192

SPECIFICATIONS:

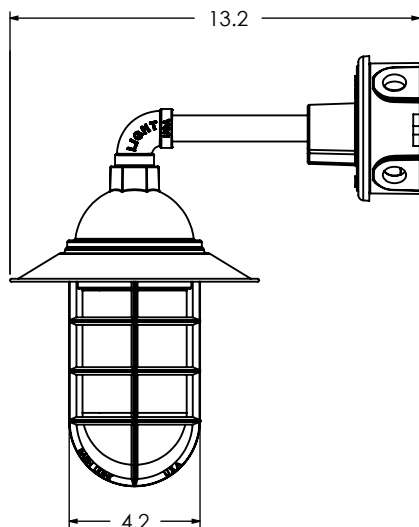
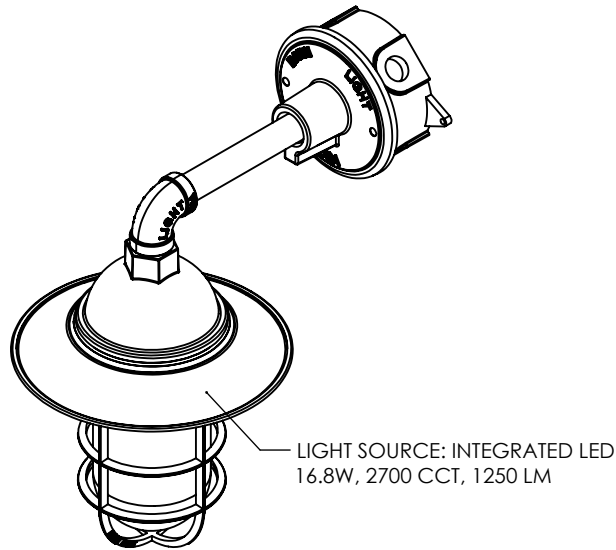
GENERAL:

- Suitable for Damp Locations
- Made in USA, Manufactured and Hand-Crafted in Titusville, Florida
- UL Listed

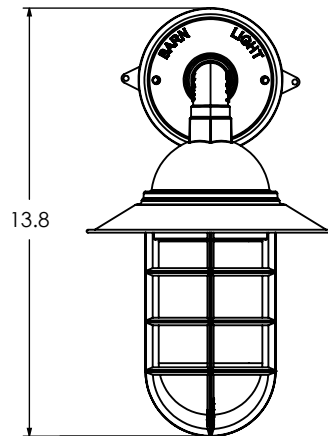
LIGHT SOURCE:

- Integrated LED, 16.8 Watt
- 2700 CCT, 1250 Lumens

DIMENSIONAL DRAWINGS



SIDE VIEW



FRONT VIEW



CUSTOM WALL SCONCE: #192

FIXTURE RENDERINGS





CUSTOM WALL SCONCE: #181

SPECIFICATIONS:

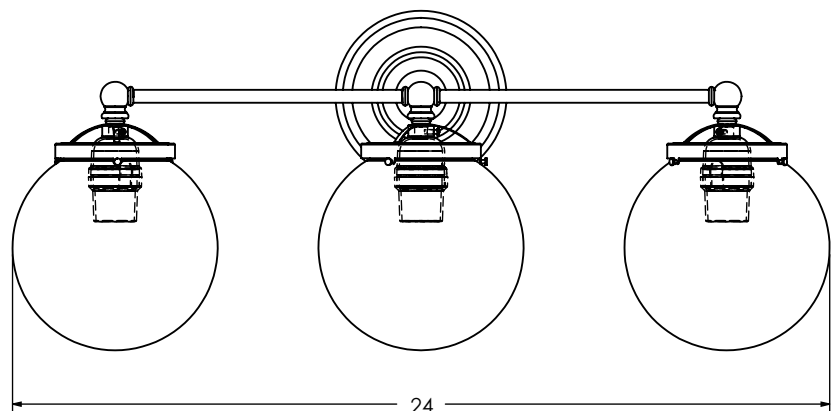
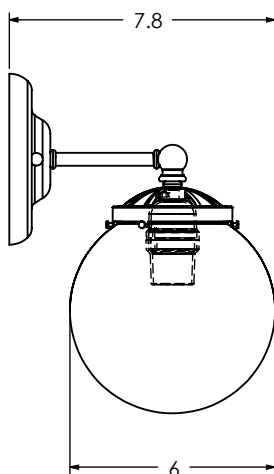
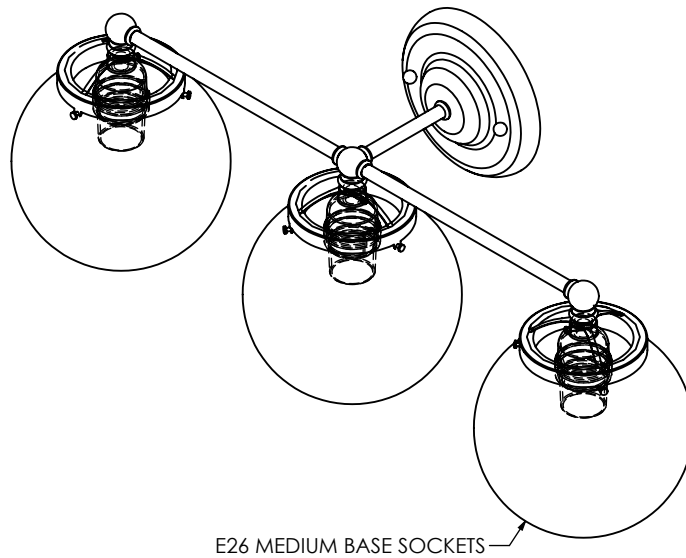
GENERAL:

- Suitable for Damp Locations
- Made in USA, Manufactured and Hand-Crafted in Titusville, Florida
- UL Listed

LIGHT SOURCE:

- E26 Medium Base Socket
- 60W Max Per Socket
- Bulb Supplied by Other

DIMENSIONAL DRAWINGS





CUSTOM WALL SCONCE: #181

FIXTURE RENDERINGS





CUSTOM WALL SCONCE: #188

SPECIFICATIONS:

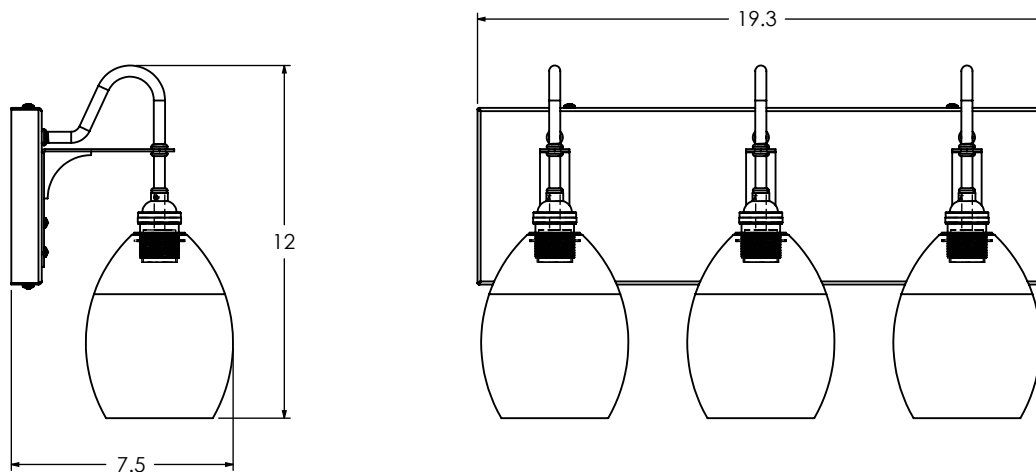
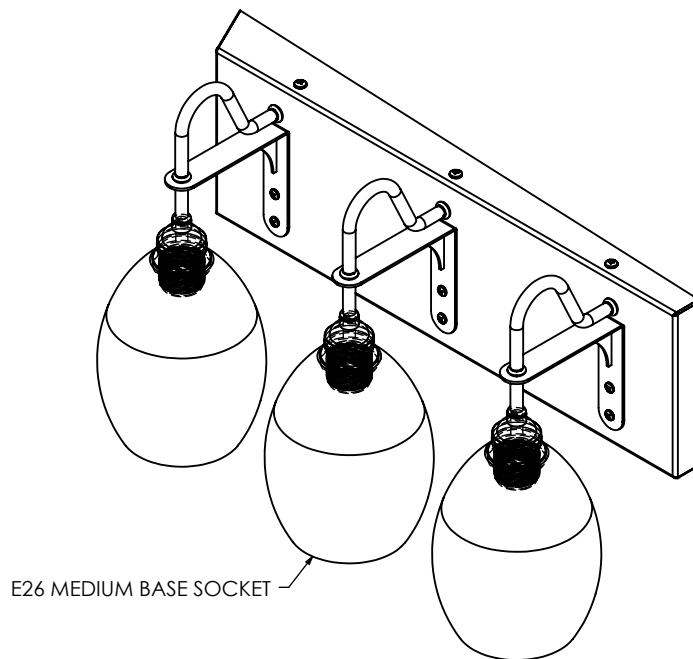
GENERAL:

- Suitable for Damp Locations
- Made in USA, Manufactured and Hand-Crafted in Titusville, Florida
- UL Listed

LIGHT SOURCE:

- E26 Medium Base Socket
- 60 Watt Max Per Socket
- Bulb Supplied by Other

DIMENSIONAL DRAWINGS





CUSTOM WALL SCONCE: #188

FIXTURE RENDERINGS





CUSTOM WALL SCONCE: #179

SPECIFICATIONS:

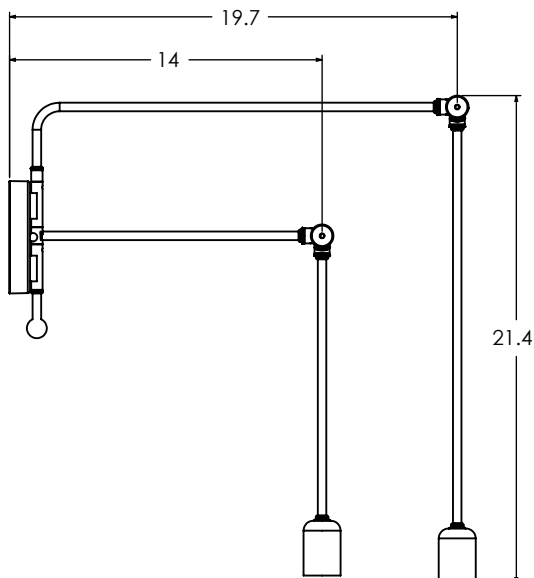
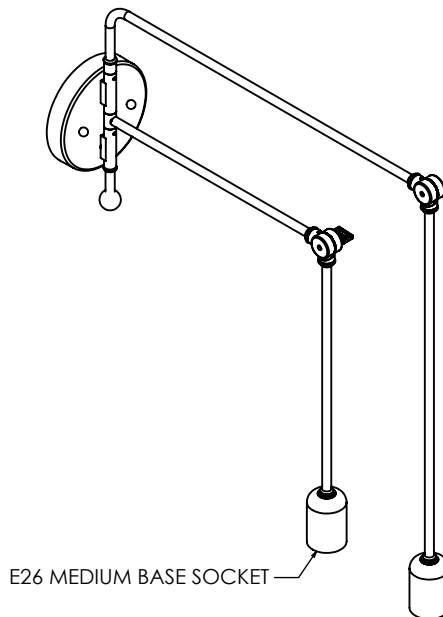
GENERAL:

- Suitable for Dry Locations
- Made in USA, Manufactured and Hand-Crafted in Titusville, Florida
- CSA Listed (US & Canada)

LIGHT SOURCE:

- E26 Medium Base Socket
- 60 Watt Max Per Socket

DIMENSIONAL DRAWINGS





CUSTOM WALL SCONCE: #179

FIXTURE RENDERINGS





CUSTOM WALL SCONCE: #171

SPECIFICATIONS:

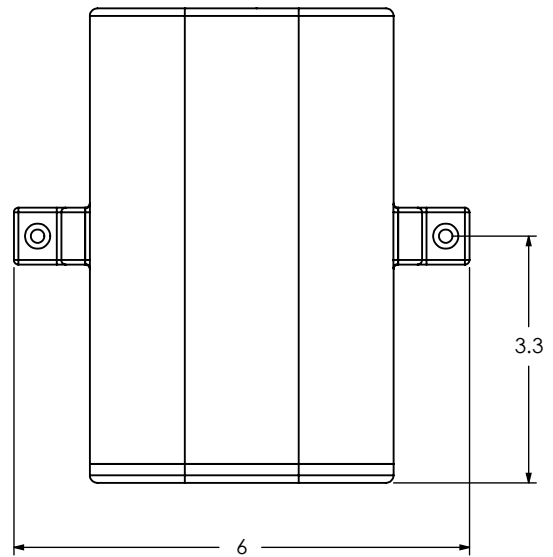
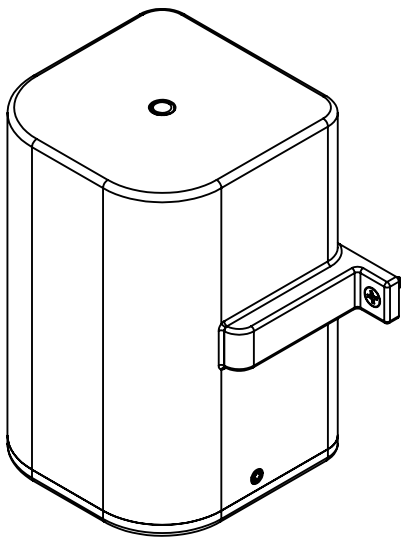
GENERAL:

- Suitable for Dry Locations
- Made in USA, Manufactured and Hand-Crafted in Titusville, Florida
- UL Listed (US and Canada)

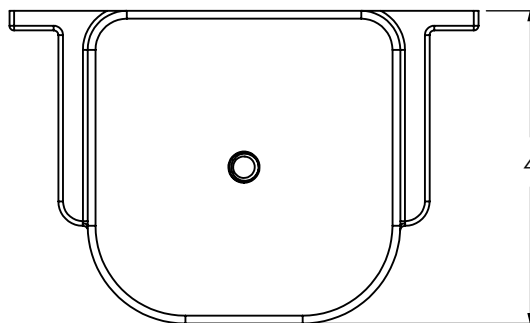
LIGHT SOURCE:

- E26 Medium Base Socket
- 200 Watt Max Per Socket

DIMENSIONAL DRAWINGS



FRONT VIEW



TOP VIEW



CUSTOM WALL SCONCE: #171

FIXTURE RENDERINGS





CUSTOM WALL SCONCE: #168

SPECIFICATIONS:

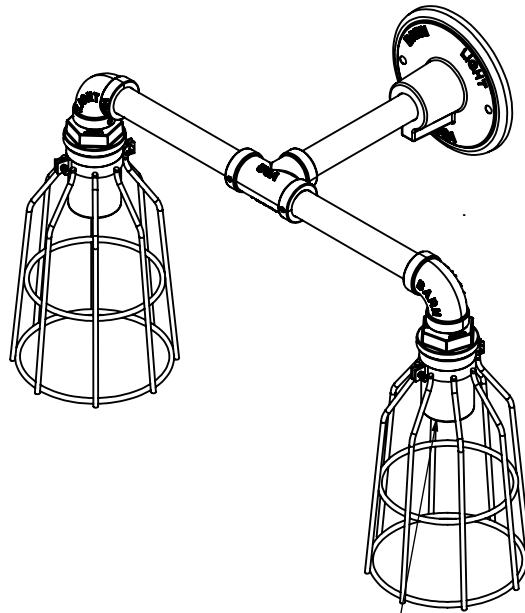
GENERAL:

- Suitable for Dry Locations
- Made in USA, Manufactured and Hand-Crafted in Titusville, Florida
- UL Listed (US and Canada)

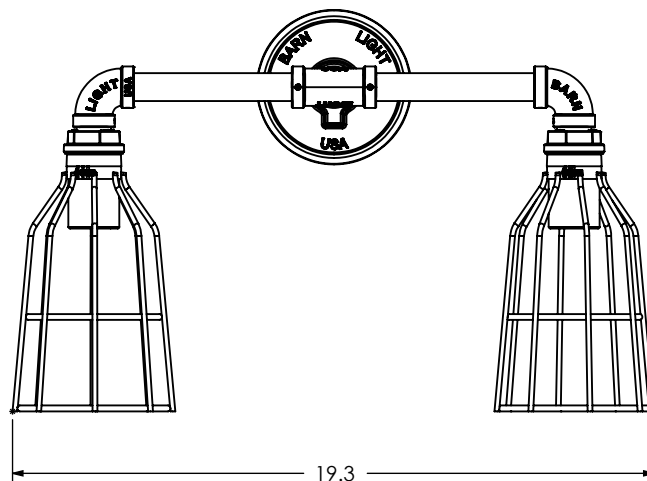
LIGHT SOURCE:

- E26 Medium Base Socket
- 200 Watt Max Per Socket

DIMENSIONAL DRAWINGS



LIGHT SOURCE: E26 MEDIUM BASE SOCKET





CUSTOM WALL SCONCE: #168

FIXTURE RENDERINGS





CUSTOM WALL SCONCE: #162

SPECIFICATIONS:

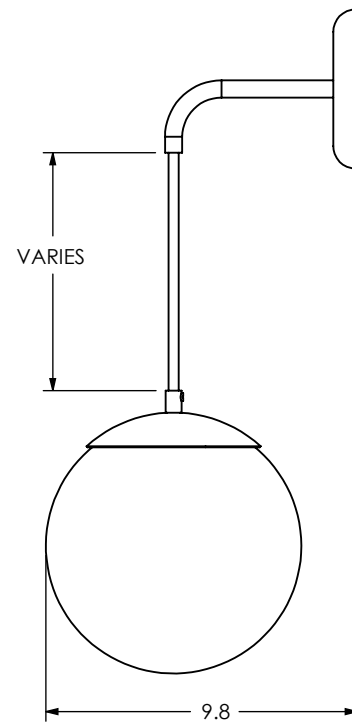
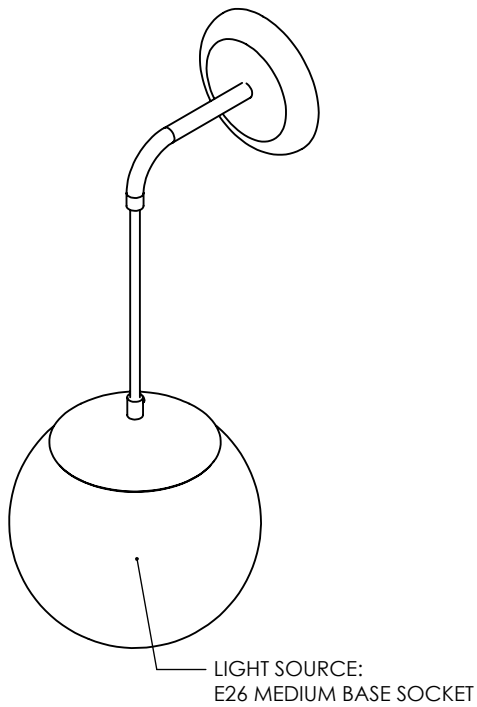
GENERAL:

- Suitable for Dry Locations
- Made in USA, Manufactured and Hand-Crafted in Titusville, Florida
- CSA Listed (US and Canada)

LIGHT SOURCE:

- E26 Medium Base Socket
- 100 Watt Max Per Socket

DIMENSIONAL DRAWINGS





CUSTOM WALL SCONCE: #162

FIXTURE RENDERINGS





CUSTOM WALL SCONCE: #124

SPECIFICATIONS:

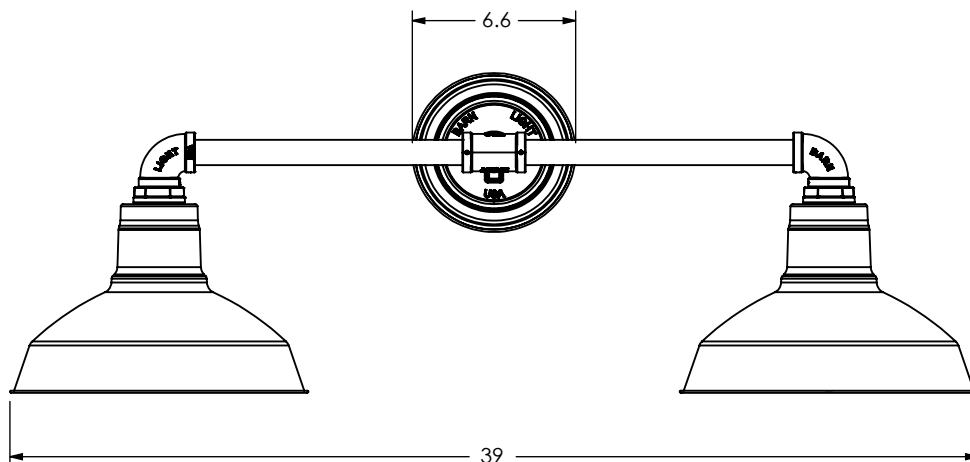
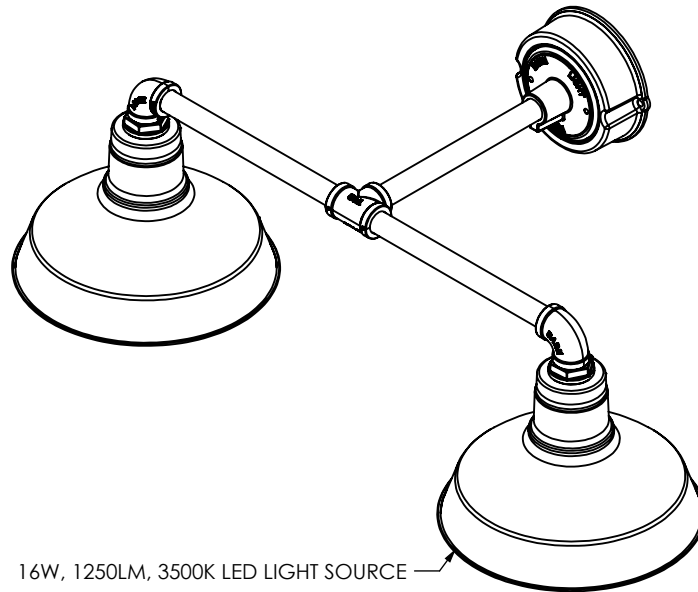
GENERAL:

- Suitable for Wet Locations
- Made in USA, Manufactured and Hand-Crafted in Titusville, Florida
- CSA Listed (US and Canada)

LIGHT SOURCE:

- 1250LM
- CCT: 3500K
- Total Fixture Wattage: 32 W

DIMENSIONAL DRAWINGS





CUSTOM WALL SCONCE: #124

FIXTURE RENDERINGS





CUSTOM WALL SCONCE: #111

SPECIFICATIONS:

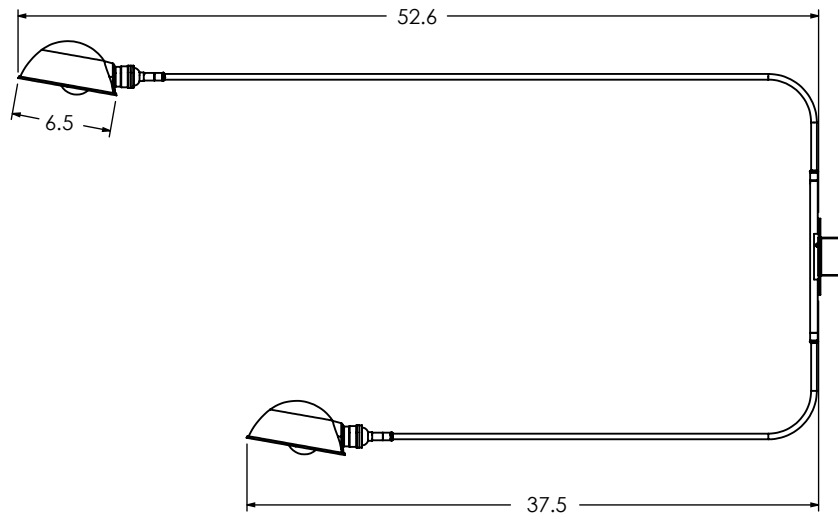
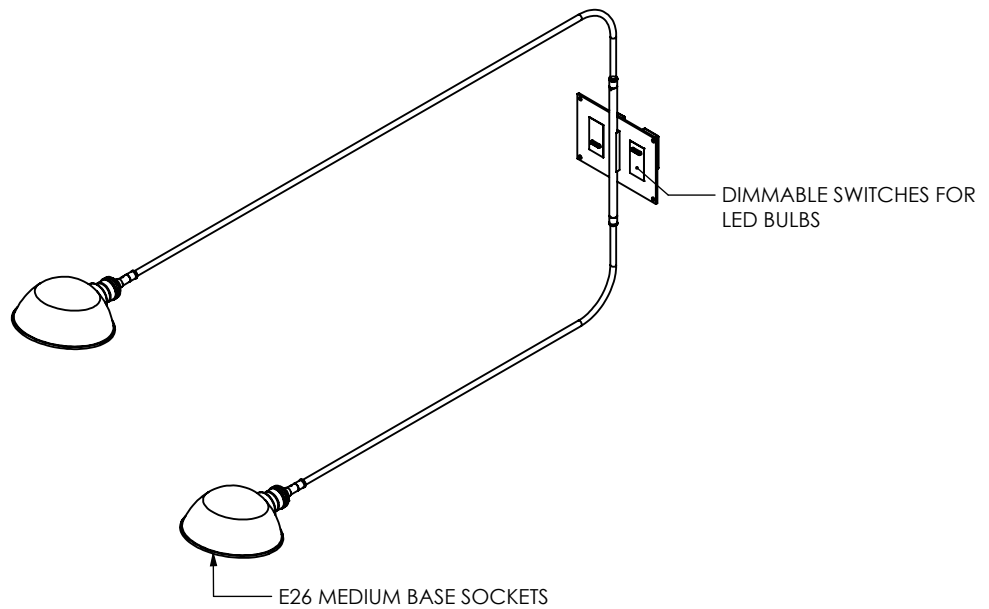
GENERAL:

- Suitable for Damp Locations
- Made in USA, Manufactured and Hand-Crafted in Titusville, Florida
- UL Listed

LIGHT SOURCE:

- E26 Medium Base Socket
- 60W Max
- Input Voltage: 120 VAC

DIMENSIONAL DRAWINGS





CUSTOM WALL SCONCE: #111

FIXTURE RENDERINGS





CUSTOM WALL SCONCE: #108

SPECIFICATIONS:

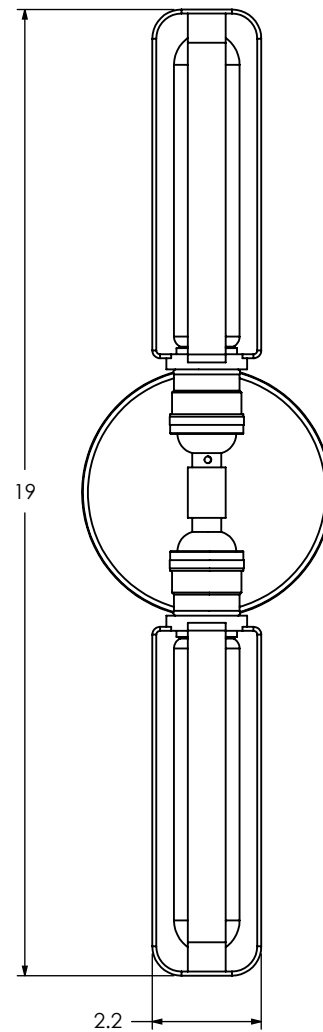
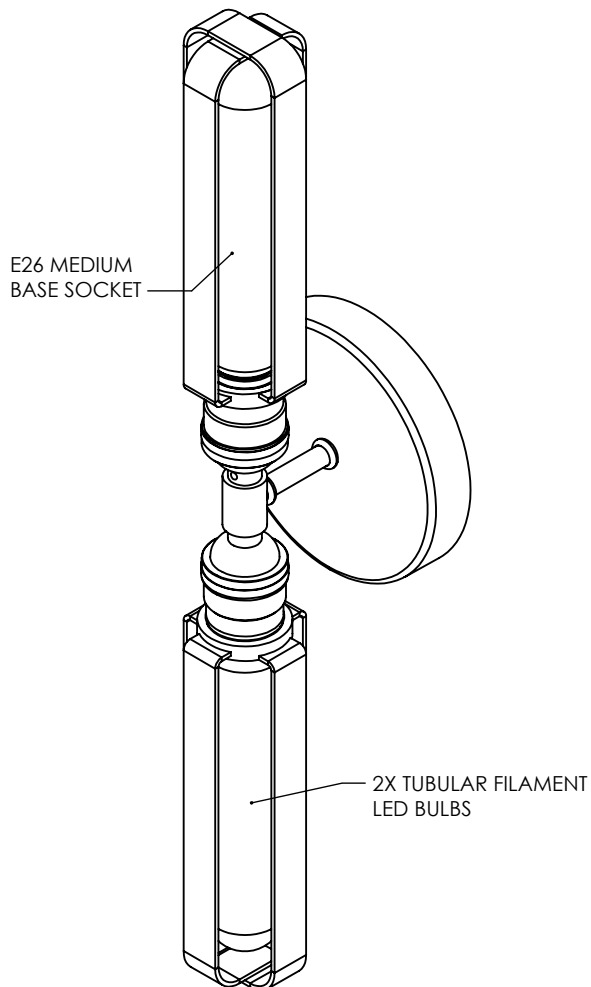
GENERAL:

- Suitable for Dry Locations
- Made in USA, Manufactured and Hand-Crafted in Titusville, Florida

LIGHT SOURCE:

- E26 Medium Base Socket
- 2x Tubular Filament LED Bulbs

DIMENSIONAL DRAWINGS





CUSTOM WALL SCONCE: #108

FIXTURE RENDERINGS





CUSTOM WALL SCONCE: #25

SPECIFICATIONS:

GENERAL:

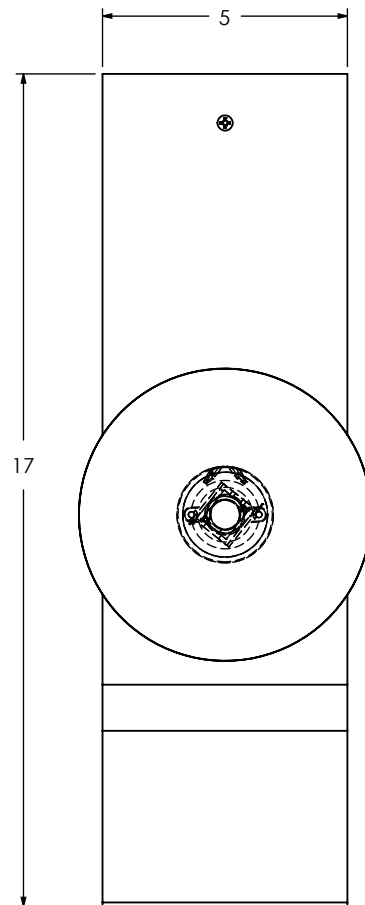
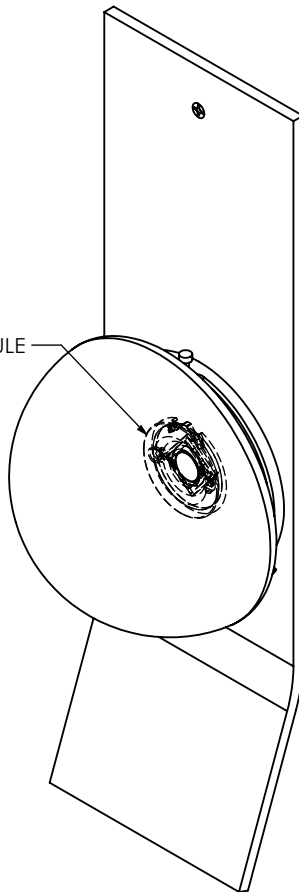
- Suitable for Dry Locations
- Made in USA, Manufactured and Hand-Crafted in Titusville, Florida
- Fixture Designed to Not Exceed 4" Projection from Finished Wall

LIGHT SOURCE:

- Integrated AC LED Module
- L70 > 50,000 Hours
- CRI > 80
- 2700K
- Input Voltage: 120VAC

DIMENSIONAL DRAWINGS

INTEGRATED AC LED MODULE
2700 K
INPUT VOLTAGE: 120 VAC





CUSTOM WALL SCONCE: #25

FIXTURE RENDERINGS





CUSTOM WALL SCONCE: #32

SPECIFICATIONS:

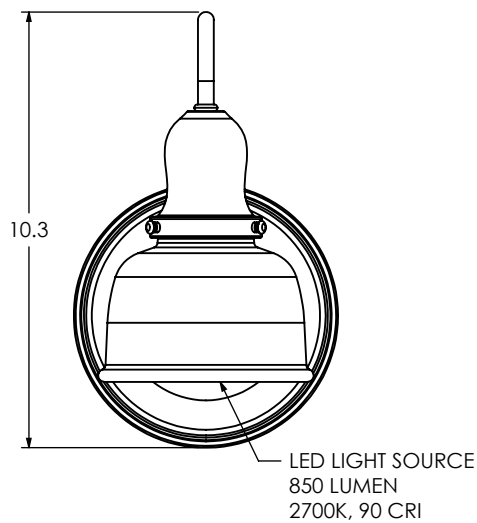
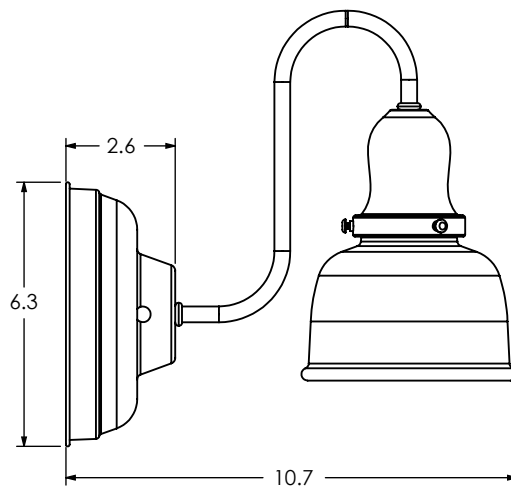
GENERAL:

- Suitable for Damp Locations
- Made in USA, Manufactured and Hand-Crafted in Titusville, Florida

LIGHT SOURCE:

- 850 Lumens
- Fixture Wattage: 16w Max
- CCT: 2700K
- 90+ CRI
- 2 Step McAdams Ellipse
- Input Voltage: Universal 120 -277v Triac Dimming
- Lumen Maintenance: L70> 50,000 Hours
- Integrated Cree COB LED

DIMENSIONAL DRAWINGS





CUSTOM WALL SCONCE: #32

FIXTURE RENDERINGS





CUSTOM WALL SCONCE: #42

SPECIFICATIONS:

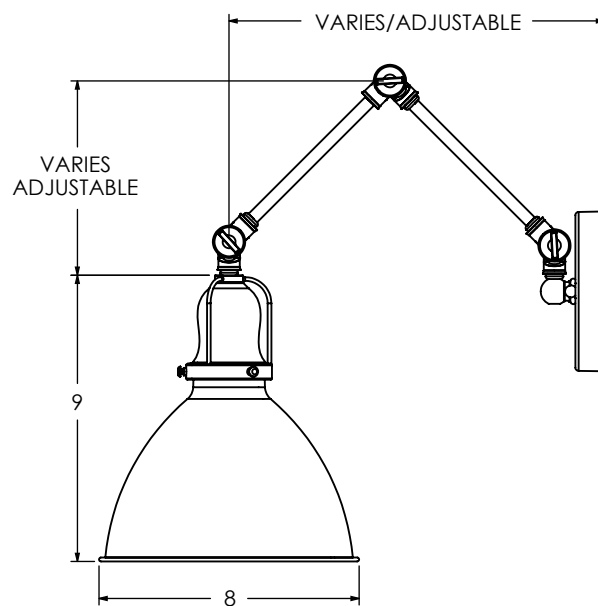
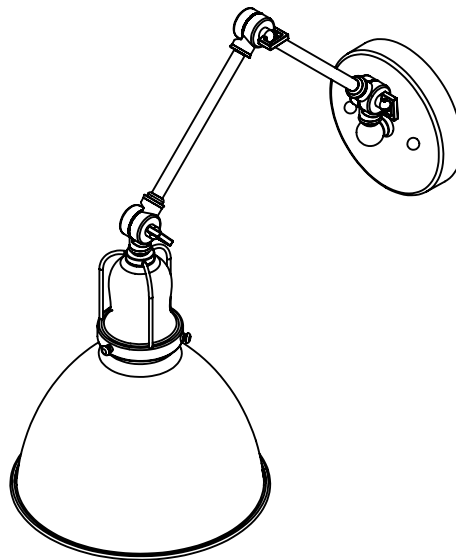
GENERAL:

- Suitable for Damp Locations
- Made in USA, Manufactured and Hand-Crafted in Titusville, Florida

LIGHT SOURCE:

- E26 Medium Base Porcelain Socket
- 100 Watt Max
- 120v Supply Wires

DIMENSIONAL DRAWINGS





CUSTOM WALL SCONCE: #42

FIXTURE RENDERINGS





CUSTOM WALL SCONCE: #95

SPECIFICATIONS:

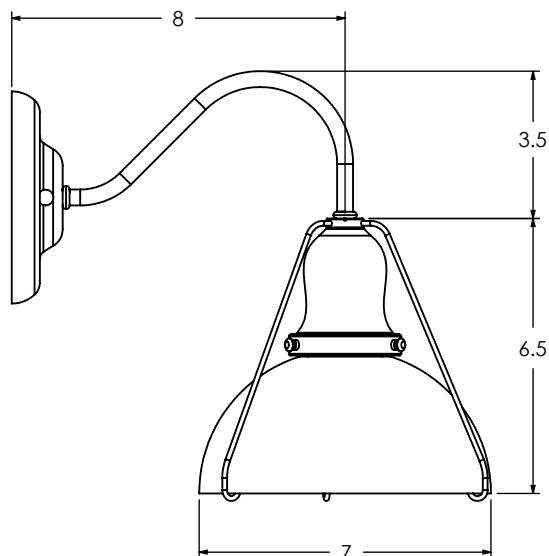
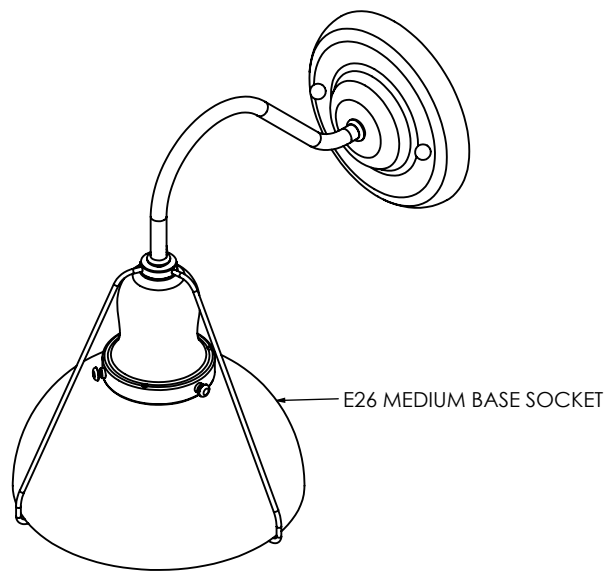
GENERAL:

- Suitable for Dry Locations
- Made in USA, Manufactured and Hand-Crafted in Titusville, Florida

LIGHT SOURCE:

- E26 Medium Base Socket
- 60 Watt Max

DIMENSIONAL DRAWINGS





CUSTOM WALL SCONCE: #95

FIXTURE RENDERINGS





CUSTOM WALL SCONCE: #96

SPECIFICATIONS:

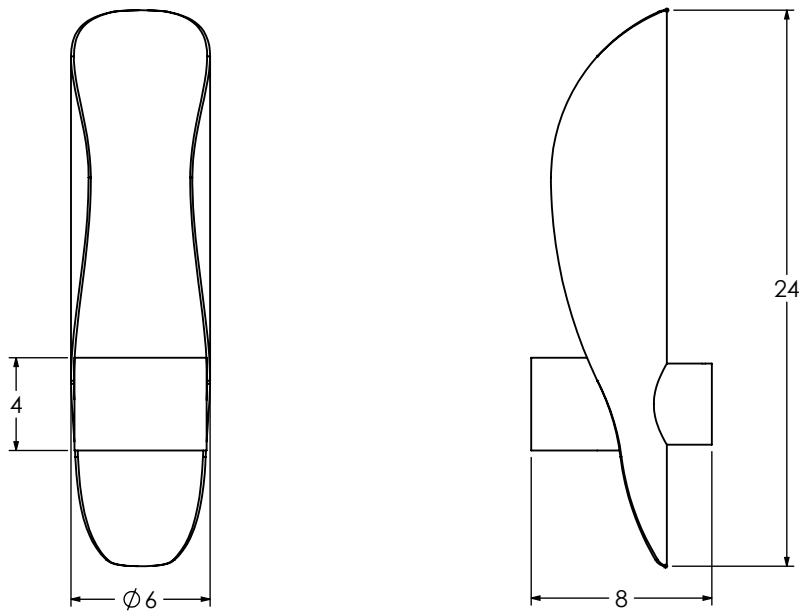
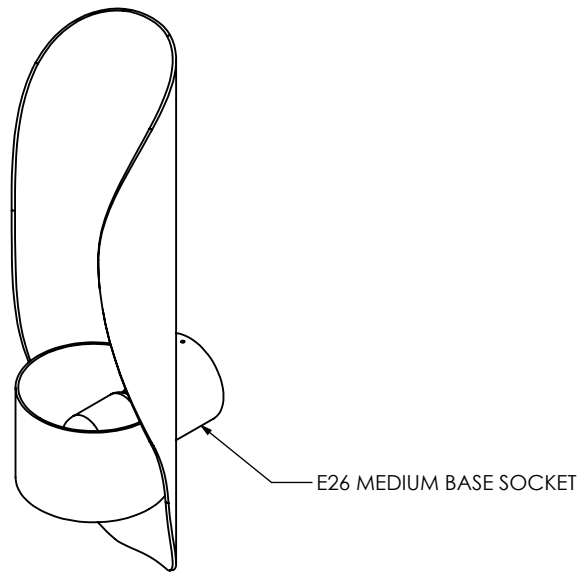
GENERAL:

- Suitable for Dry Locations
- Made in USA, Manufactured and Hand-Crafted in Titusville, Florida

LIGHT SOURCE:

- E26 Medium Base Socket
- Incandescent Light Source
- 60 Watt Max

DIMENSIONAL DRAWINGS





CUSTOM WALL SCONCE: #96

FIXTURE RENDERINGS





CUSTOM WALL SCONCE: #45

SPECIFICATIONS:

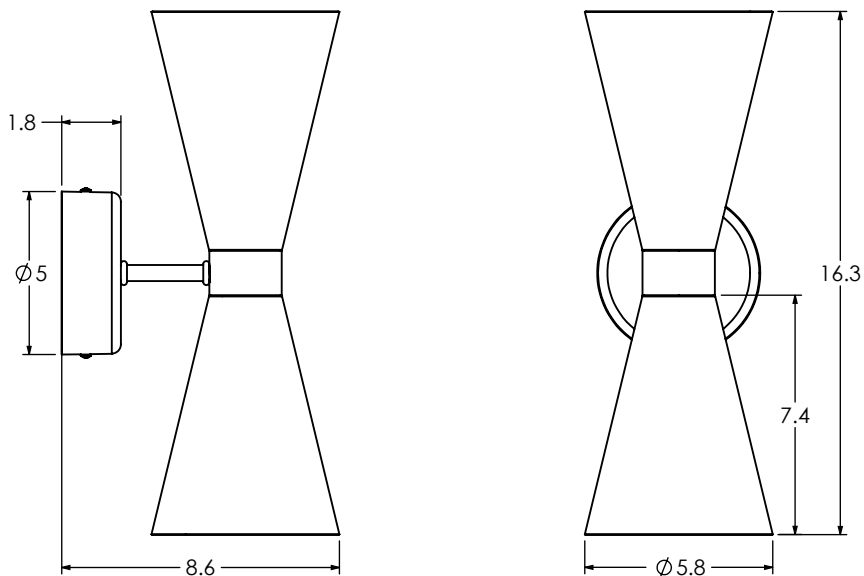
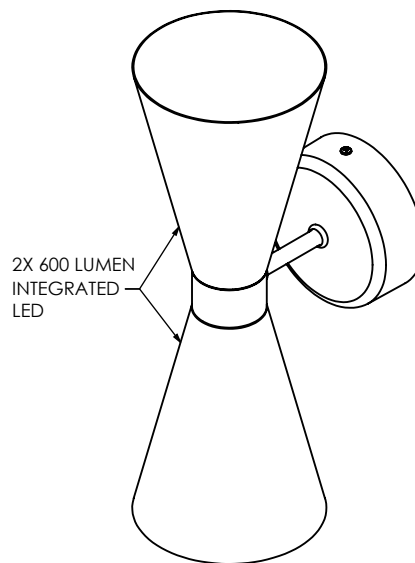
GENERAL:

- Suitable for Damp Locations
- Made in USA, Manufactured and Hand-Crafted in Titusville, Florida

LIGHT SOURCE:

- 2 x 15w 600 lumen Integrate LED Light
- 90+CRI
- Lumen Maintenance: L70>50,000
- CCT: 2700K
- 120-277 VAC INPUT

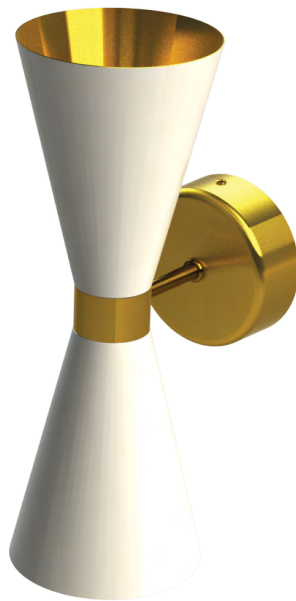
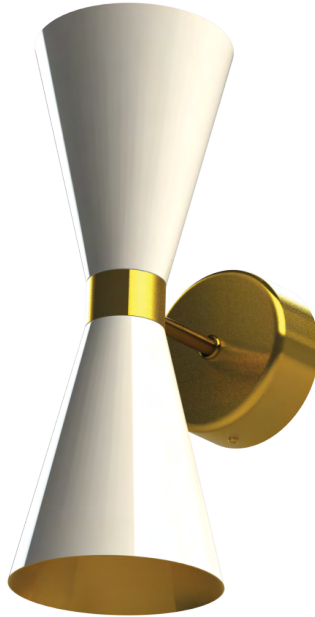
DIMENSIONAL DRAWINGS





CUSTOM WALL SCONCE: #45

FIXTURE RENDERINGS





CUSTOM WALL SCONCE: #67

SPECIFICATIONS:

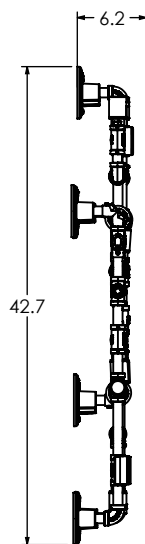
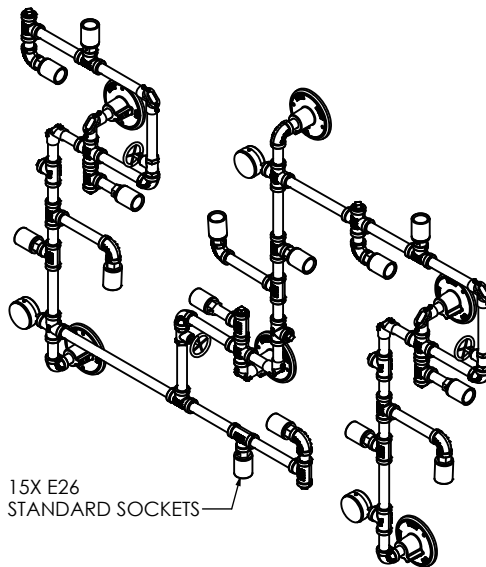
GENERAL:

- Suitable for Dry Locations
- Made in USA, Manufactured and Hand-Crafted in Titusville, Florida

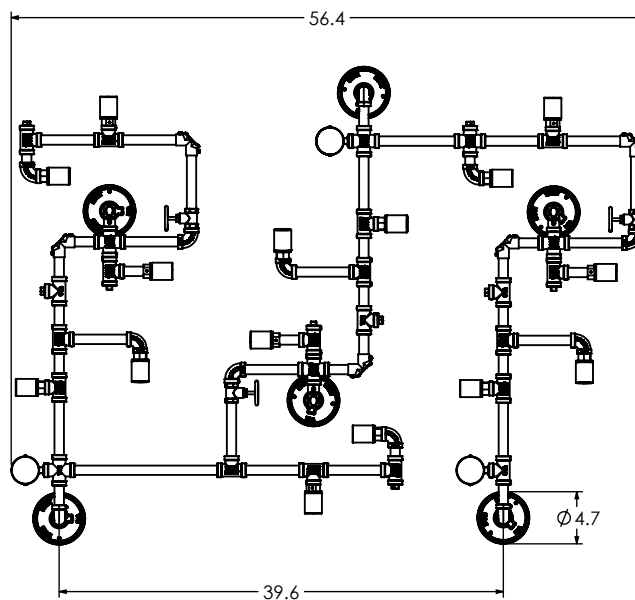
LIGHT SOURCE:

- 15x E26 Medium Base Porcelain Sockets
- 100 Watt Max Per Socket
- 120v Supply Wires

DIMENSIONAL DRAWINGS



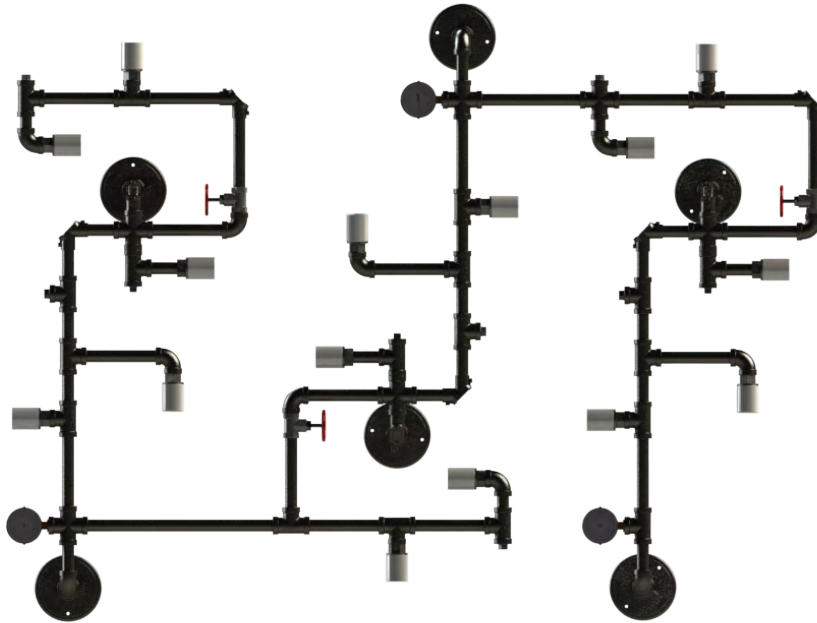
SIDE VIEW





CUSTOM WALL SCONCE: #67

FIXTURE RENDERINGS





CUSTOM WALL SCONCE: #44

SPECIFICATIONS:

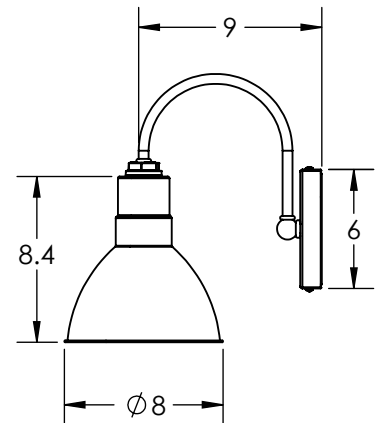
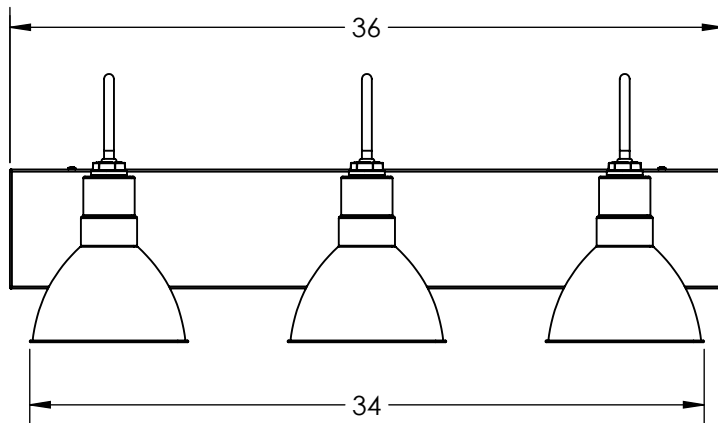
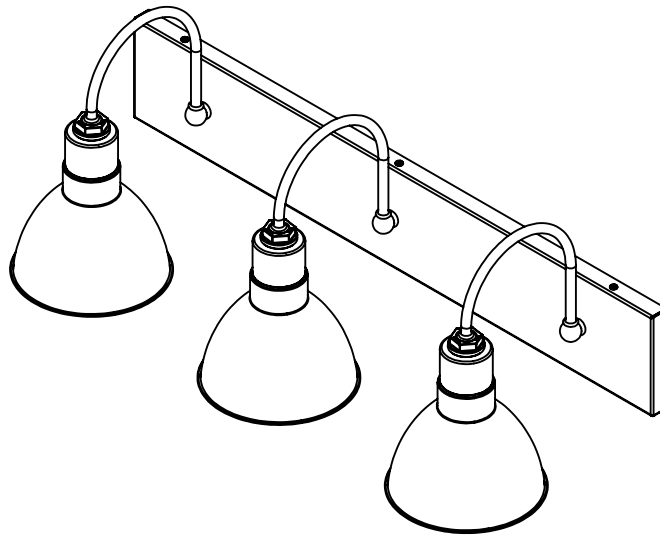
GENERAL:

- Suitable for Damp Locations
- Made in USA, Manufactured and Hand-Crafted in Titusville, Florida

LIGHT SOURCE:

- E26 Medium Base Porcelain Socket
- 200 Watt Max
- 120v Supply Wires

DIMENSIONAL DRAWINGS





CUSTOM WALL SCONCE: #44

FIXTURE RENDERINGS





CUSTOM WALL SCONCE: #52

SPECIFICATIONS:

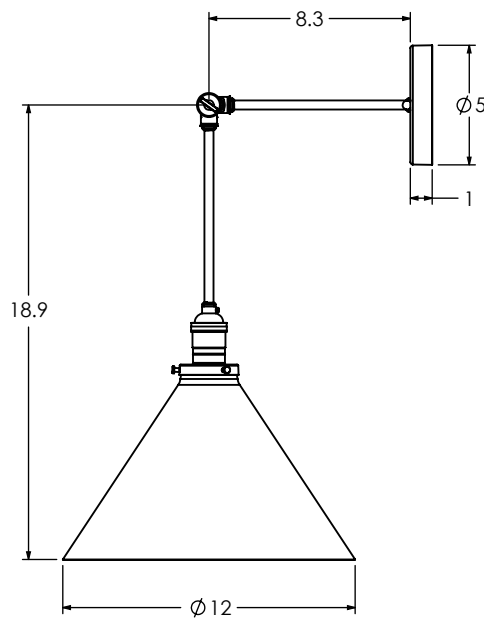
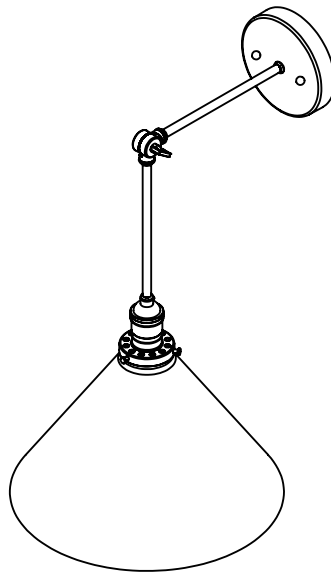
GENERAL:

- Suitable for Damp Locations
- Made in USA, Manufactured and Hand-Crafted in Titusville, Florida

LIGHT SOURCE:

- E26 Medium Base Porcelain Socket
- 60 Watt Max
- 120v Supply Wires

DIMENSIONAL DRAWINGS





CUSTOM WALL SCONCE: #52

FIXTURE RENDERINGS





CUSTOM WALL SCONCE: #53

SPECIFICATIONS:

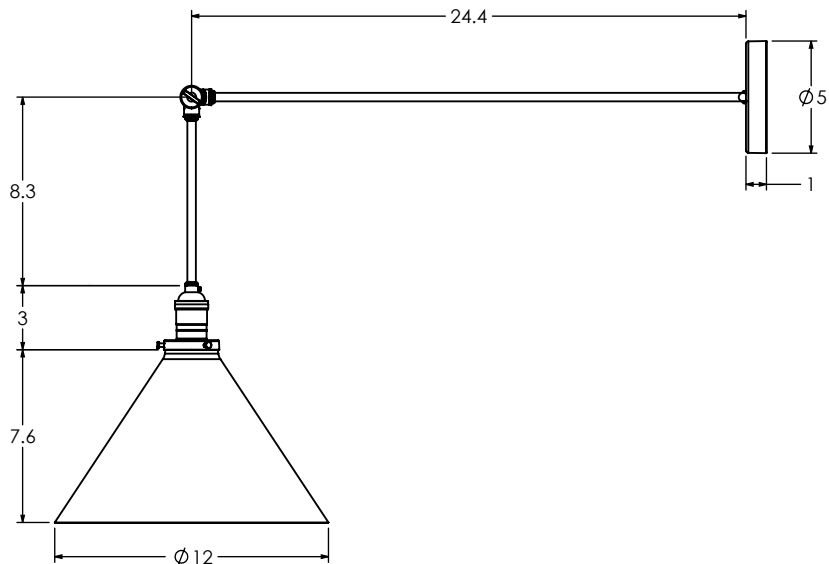
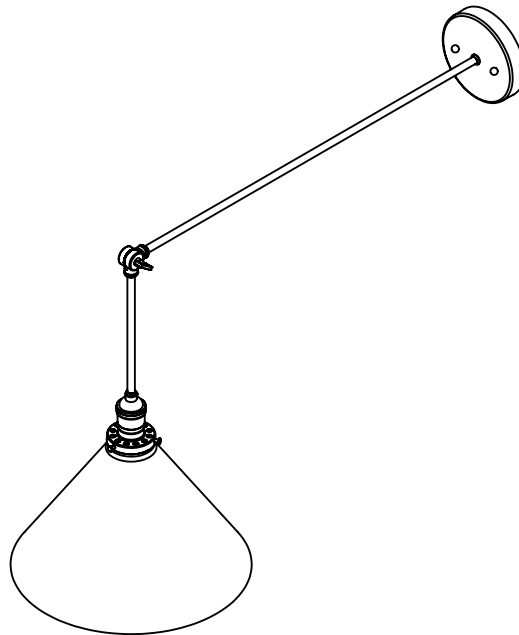
GENERAL:

- Suitable for Damp Locations
- Made in USA, Manufactured and Hand-Crafted in Titusville, Florida

LIGHT SOURCE:

- E26 Medium Base Porcelain Socket
- 60 Watt Max
- 120v Supply Wires

DIMENSIONAL DRAWINGS





CUSTOM WALL SCONCE: #53

FIXTURE RENDERINGS





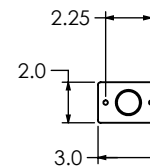
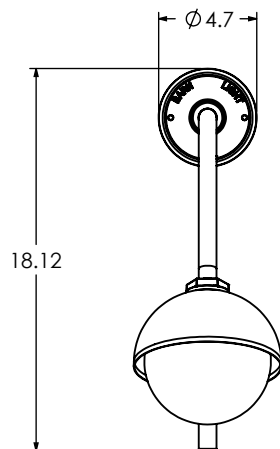
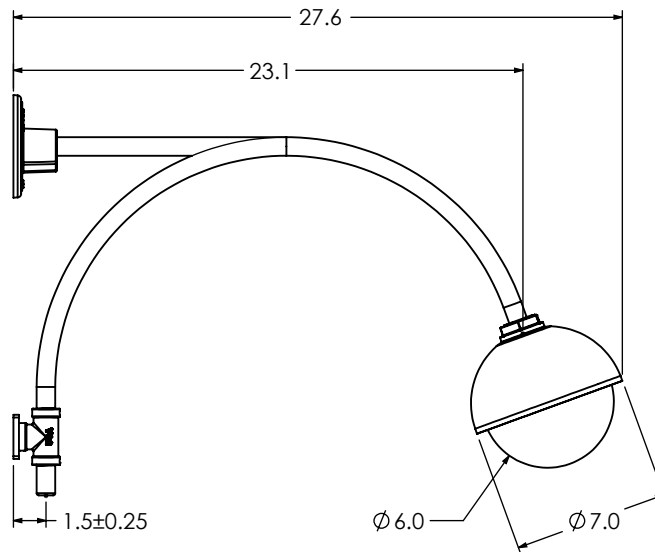
CUSTOM WALL SCONCE: #6

SPECIFICATIONS:

GENERAL:

- UL Listed
- Made in USA, Manufactured and Hand-Crafted in Titusville, Florida
- CSA Listed (US & Canada)

DIMENSIONAL DRAWINGS



BOTTOM MOUNTING PLATE



CUSTOM WALL SCONCE: #6

FIXTURE RENDERINGS

