

# ENVIROFAN

Gold Line

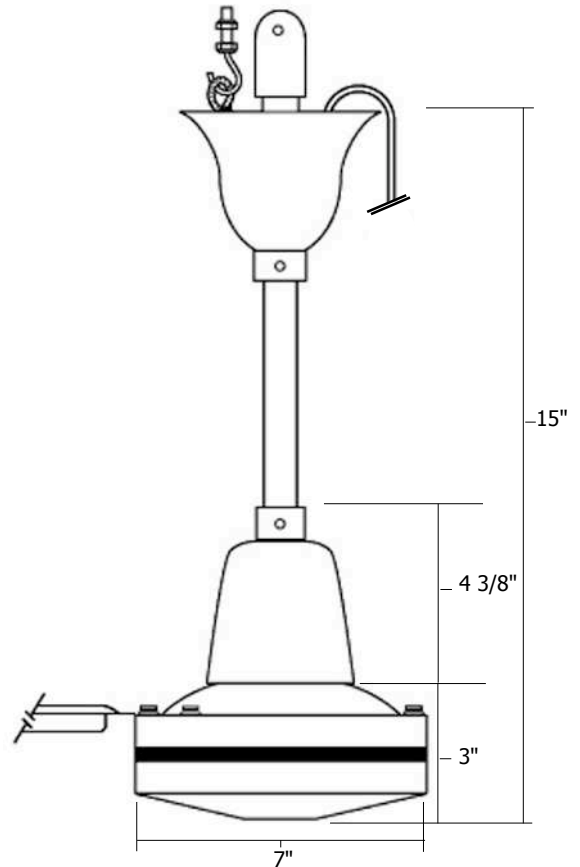
136F-7

## Specifications:

Size: 36"  
Weight: 17 lbs.  
CFM: 12,000  
Area: 800 sq. ft.  
RPM: 400  
Velocity: 650 ft./min.  
Amps: .70  
Volts: 120V, 60Hz

Safety Cable: 7"

Lead Wires: 20" (from top of bell)



## Features:

Thermo Protected Motor  
Secondary Support Cable  
Cast Iron Motor Housing  
Aluminum Blades  
UL Listed - Meets all 507 standards  
5 year warranty  
8" Downrod (3/4" i.d.)



## Note:

To reduce risk of injury to persons, install fan so that blades are at least 10 feet above floor  
Technical specifications subject to change without notice

## Northwest Envirofan

A Division of Northwest Environmental Systems, Inc.

Envirofan Ceiling Fans • Protecto-Guard Ceiling Fan Guards • Fan Controls

800-236-7080

(920) 235-7808

FAX (920) 235-3049