



BLE - W - SOH - CAN - \_\_\_\_\_  
**A**

Order Example: BLE - W - SOH - CAN - 570

**A - FINISHES**

*POWDER COAT FINISHES<sup>1</sup>:*

- 100** Black
- 105** Textured Black
- 200** White
- 300** Dark Green
- 307** Emerald Green
- 311** Jadite
- 370** Mint
- 380** Chartreuse
- 390** Teal
- 400** Barn Red
- 420** Orange
- 470** Watermelon
- 480** Blush Pink
- 490** Magenta
- 500** Buttery Yellow

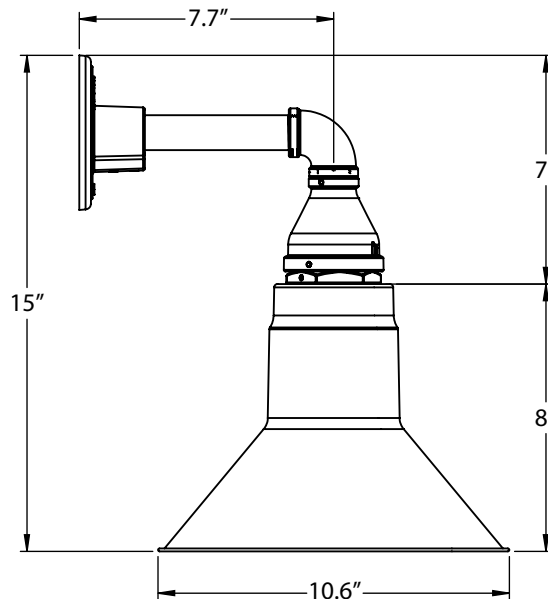
**A - FINISHES (CONTINUED)**

*POWDER COAT FINISHES<sup>1</sup>:*

- 570** Sunflower
- 600** Bronze
- 601** Chocolate
- 605** Rust
- 615** Oil-Rubbed Bronze
- 700** Royal Blue
- 705** Navy
- 710** Cobalt Blue
- 715** Delphite Blue
- 800** Industrial Grey
- 805** Charcoal Granite
- 810** Graphite
- 975** Galvanized

**IMPORTANT:** (1) All Powder Coat finished shades, 975-Galvanized excluded, feature a white interior

**DIMENSIONAL DRAWING**



**LIGHT SOURCE**

All published luminaire photometric testing performed to IESNA LM-79-08 standards by a NVLAP accredited laboratory. Data is considered to be representative of the configurations shown, within the tolerances allowed by Lighting Facts. To obtain an IES file specific to your project, please contact the factory.

OPTION	WATTAGE	LUMENS	CRI	VOLTAGE	DIMMING
<small>*Avg. value, actual value dependent on bulb used</small>					
<b>INCANDESCENT (MED E26)</b>					
<b>E26</b>	200W Max	3000*	100*	120 VAC	Bulb Dependant

**SPECIFICATIONS**

**DESIGN & FINISHES**

THE CANAL STREET SOHO SHADE  
Hand-Spun from High Purity 0.050" Thick 3003-O Temper Aluminum

POWDER COAT FINISHES  
Polyester Powder Coat Finishes Are Electro-Statically Applied and Thermocured on the Shade

**CERTIFICATIONS, LISTINGS & WARRANTY**

MADE IN THE USA  
Manufactured and Hand-Crafted in Our 60,000 Square Foot Facility Located in Titusville, FL

CSA LISTED FOR WET LOCATIONS

LIMITED WARRANTY  
For Additional Information on Our Limited Warranty, Please See Our Terms & Conditions