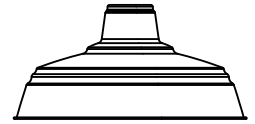




SPS-0436 REV A

ALL WEATHER FARM LIGHT STEM MOUNT

JOB NAME: _____ FIXTURE TYPE: _____



BLE - S - _____ - _____
A B

Order Example: BLE - S - AUS17 - 605

A - SHADE SIZE

ALL WEATHER FARM LIGHT SHADE¹:

- AUS11**
- AUS13**
- AUS15**
- AUS17**

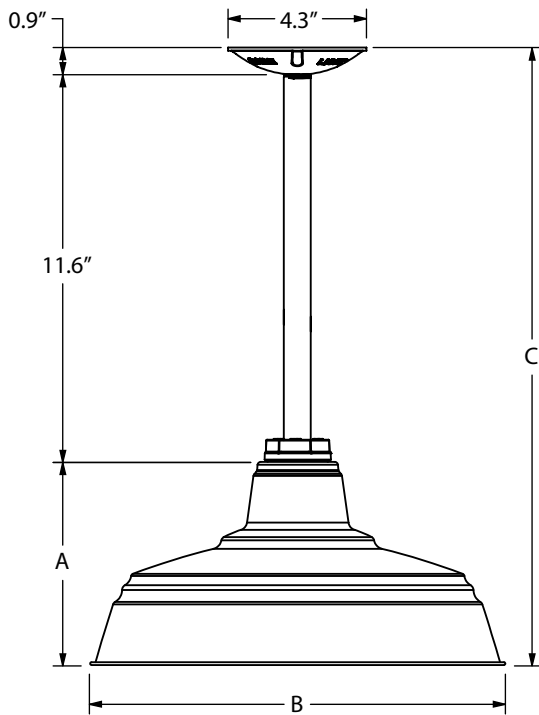
B - FINISHES

POWDER COAT FINISHES²:

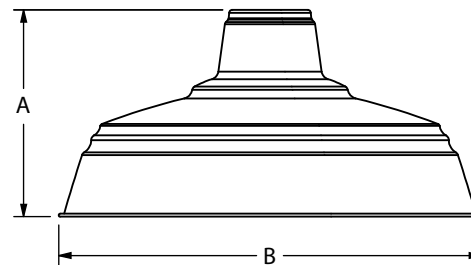
- 100** Black
- 200** White
- 300** Dark Green
- 605** Rust
- 975** Galvanized

IMPORTANT: (1) There are no returns accepted on this product (2) All Powder Coat finished shades, Galvanized excluded, feature a white interior

DIMENSIONAL DRAWING



LUMINAIRE DIMENSIONS



SHADE CODE	HEIGHT (A)	DIAMETER (B)	HEIGHT (C)
AUS11	5.9"	11"	18.4"
AUS13	6.6"	13"	19.1"
AUS15	7.4"	15"	19.9"
AUS17	8.1"	17"	20.6"

SPECIFICATIONS

MOUNTING & DESIGN

STEM
 Complete with a 12" 6063 Aluminum Mounting Stem, 1/2" Nominal (0.84" Actual)

SHADE
 Hand-Spun from High Purity 0.050" Thick 3003-O Temper Aluminum

POWDER COAT FINISHES
 Polyester Powder Coat Finishes Are Electro-Staticly Applied and Thermocured

MAX FIXTURE WEIGHT
 10 lbs

CERTIFICATIONS, LISTINGS & WARRANTY

MADE IN THE USA
 Manufactured and Hand-Crafted in Our 60,000 Square Foot Facility Located in Titusville, FL

CSA LISTED FOR WET LOCATIONS

LIMITED WARRANTY
 For Additional Information on Our Limited Warranty, Please See Our Terms & Conditions

LIGHT SOURCE

INCANDESCENT
 Medium Base E26 Socket, 200 Watt Max, 120 VAC