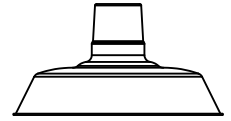




SPS-0448 REV F

THE ORIGINAL™ INTEGRATED LED SERIES

JOB NAME: _____ FIXTURE TYPE: _____



BLE - _____ - _____ - _____ - _____ - _____ - _____ - _____ - _____

A B C D E F G

H I J K L M

Order Example: BLE - G - WHS16 - 600 - G22 - NA - 980 - NA - ACR - 600 - NA - LED38 - 2700K - DL

A - MOUNTING STYLE

| | |
|-----------|--------------------------|
| C | Cord Hung |
| CN | Chain Hung |
| F | Flush Mount ¹ |
| G | Gooseneck |
| S | Stem Mount |

B - SHADE SIZE

THE ORIGINAL™:

| | |
|--------------|------------------------|
| WHS12 | 12" Shade ¹ |
| WHS14 | 14" Shade |
| WHS16 | 16" Shade |
| WHS18 | 18" Shade |
| WHS20 | 20" Shade ² |

C - SHADE FINISHMARINE GRADE FINISHES³:

| | |
|-------------|--------------|
| M103 | Black |
| M200 | White |
| M210 | Cream |
| M305 | Forest Green |
| M315 | Seafoam |
| M415 | Red |
| M603 | Brown |
| M803 | Dark Grey |

POWDER COAT FINISHES⁴:

| | |
|------------|----------------|
| 100 | Black |
| 105 | Textured Black |
| 106 | Matte Black |
| 200 | White |
| 206 | Matte White |
| 300 | Dark Green |
| 307 | Emerald Green |
| 311 | Jadite |
| 320 | Fern Green |
| 370 | Mint |
| 380 | Chartreuse |
| 390 | Teal |
| 400 | Barn Red |
| 420 | Orange |
| 430 | Soft Clay |
| 470 | Watermelon |
| 480 | Blush Pink |
| 490 | Magenta |
| 495 | Sherbet Orange |
| 500 | Buttery Yellow |
| 570 | Sunflower |
| 600 | Bronze |
| 601 | Chocolate |
| 605 | Rust |
| 607 | Taupe |

C - SHADE FINISH (CONTINUED)POWDER COAT FINISHES⁴:

| | |
|------------|-------------------|
| 615 | Oil-Rubbed Bronze |
| 630 | Beige |
| 700 | Royal Blue |
| 705 | Navy |
| 710 | Cobalt Blue |
| 715 | Delphite Blue |
| 790 | Lavender |
| 800 | Industrial Grey |
| 805 | Charcoal Granite |
| 810 | Graphite |
| 815 | Light Grey |
| 975 | Galvanized |

NATURAL METALS⁵:

| | |
|------------|-------------------|
| 995 | Raw Copper |
| 996 | Weathered Copper |
| 997 | Raw Brass |
| 998 | Weathered Brass |
| 999 | Oil-Rubbed Copper |

D - MOUNTINGPlease Note: If Flush Mount [F] is selected in **Section A**, please select **NA****NA** Not Applicable

CSA LISTED CORDS:

| | |
|-------------|------------------------------|
| SBK | Standard Black |
| SWH | Standard White |
| CSB | Black Cloth |
| YLW | Buttery Yellow Cloth |
| NAVY | Navy Cloth |
| RBLU | Royal Blue Cloth |
| SLVR | Silver Cloth |
| CRM | Creme Cloth |
| ORG | Orange Cloth |
| RBS | Barn Red & Black Swirl Cloth |
| NGRN | Neon Green Cloth |
| SBLU | Sky Blue Cloth |
| SFM | Sea Foam Cloth |
| RST | Rust Cloth |
| BPNK | Blush Pink Cloth |
| EGRN | Emerald Green Cloth |
| FGRN | Fern Green Cloth |
| CNF | Confetti Cloth |

CHAIN MOUNT OPTIONS²:

| | |
|-------------|-------------|
| CN36 | 3' of Chain |
| CN72 | 6' of Chain |

D - MOUNTING (CONTINUED)

GOOSENECK OPTIONS:

| | | |
|-------------------------|------------------------|------------------------|
| G1² | G10 | G24 |
| G2² | G11² | G25 |
| G3^{2,6} | G12² | G26² |
| G4⁶ | G13 | G32 |
| G5² | G14 | G34² |
| G6 | G15 | G35² |
| G7 | G16² | G36² |
| G8 | G17 | G64² |
| G9 | G22 | G65² |

STEM MOUNT OPTIONS:

| | |
|--------------|----------------------------------|
| ST506 | .5" Stem Mount, 6" ² |
| ST512 | .5" Stem Mount, 12" ² |
| ST518 | .5" Stem Mount, 18" ² |
| ST524 | .5" Stem Mount, 24" ² |
| ST536 | .5" Stem Mount, 36" ² |
| ST548 | .5" Stem Mount, 48" ² |
| ST706 | .75" Stem Mount, 6" |
| ST712 | .75" Stem Mount, 12" |
| ST718 | .75" Stem Mount, 18" |
| ST724 | .75" Stem Mount, 24" |
| ST736 | .75" Stem Mount, 36" |
| ST748 | .75" Stem Mount, 48" |

E - CORD LENGTH⁷

| | |
|-------------|----------------|
| NA | Not Applicable |
| 7FT | 7' of Cord |
| 12FT | 12' of Cord |
| 20FT | 20' of Cord |

F - MOUNTING FINISH

Please Note: See **Section C** for Finish Options. 980-Brushed Aluminum is also available for Gooseneck (Except G36, G64 & G65) and Stem mounting styles. If a Marine Grade Finish was selected in **Section C**, then a Marine Grade Finish will have to be selected.

(I) If Cord Hung [C], selection identifies canopy finish

(II) If Chain Hung [CN] Mounting Style, selection identifies chain and canopy finish. Natural Metals are not applicable

(III) If Stem Mount [S] Mounting Style, selection identifies stem and canopy finish

(IV) If Flush Mount [F] Mounting Style, selection identifies hex coupler and canopy finish. Natural Metals are not applicable

G - CORDS⁸Please Note: See **Section D** for all applicable CSA Listed Cord Options**NA** Not Applicable**H - SHADE ACCESSORIES²**

| | |
|------------|----------------------------------|
| NA | None |
| WC | Wire Cage |
| ACR | Acrylic Diffuser ^{9,10} |

I - SHADE ACCESSORY FINISH

Please Note: See **Section C** for Finish Options. Natural Metals not applicable. If a Marine Grade Finish was selected in **Section C**, then a Marine Grade Finish will have to be selected.

NA Not Applicable**J - MOUNTING ACCESSORY**

Please Note: Mounting Accessories below are only applicable with select Mounting Styles. Please refer to product listings on our website for further details.

| | |
|--------------|-----------------------------------------------------------------|
| NA | None/Not Applicable |
| HSC | Hang Straight Canopy ^{2,11} |
| LDBPC | LED Decorative Backing Plate Cover ^{12,13} |
| LDCHX | LED Decorative Backing Plate Cover & Hex Cover ^{12,13} |

K - LIGHT SOURCE

| | |
|--------------|-------------------------|
| LED11 | 850 Lumen |
| LED16 | 1250 Lumen |
| LED27 | 2000 Lumen |
| LED38 | 3000 Lumen |
| LED43 | 4000 Lumen ¹ |

L - COLOR TEMPERATURE

| | |
|--------------|----------------------|
| 2700K | 2700K, Warm White |
| 3000K | 3000K, Neutral White |
| 3500K | 3500K, Bright White |
| 4000K | 4000K, Cool White |

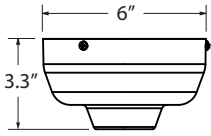
M - LED LENS

| | |
|-----------|------------|
| DL | Domed Lens |
| FL | Flat Lens |

IMPORTANT: (1) Not available with Acrylic Diffuser shade accessory (2) Not available in Natural Metals (3) All Marine Grade finished shades feature a white Marine Grade interior (4) All Powder Coat finished shades, Galvanized excluded, feature a white interior (5) Natural Metals have a longer estimated manufacturing time, please check the website for exact lead time. There are no returns accepted on Natural Metals (6) Not compatible with 16" shade size and larger (7) Only applicable if Cord Hung Mounting Style is selected in Section A, select NA if another Mounting Style is selected (8) Only applicable if Chain Hung Mounting Style selected in Section A, select NA if another Mounting Style is selected (9) Acrylic Diffuser limits the maximum lumen selection as well as reduces lumens delivered and LPW. Selection Limits: 2000 Max for 14" shades; 3000 Max for 16" through 20" shades (10) Fixture is CSA Listed for Damp Location with Acrylic Diffuser (11) Only applicable if Stem Mounting Style is selected in Section A (12) Not available with G3, G4, G11, G15, & G26 Gooseneck option (13) Only applicable if Gooseneck Mounting Style is selected in Section A

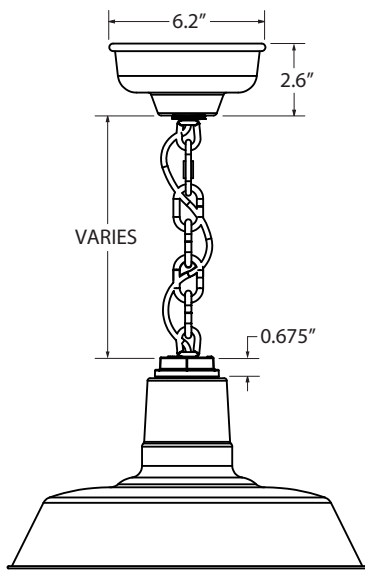
MOUNTING STYLE

HIGH LUMEN CANOPY FOR PENDANT & FLUSH MOUNT



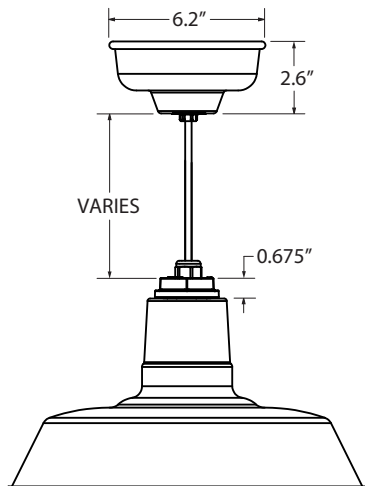
Required if LED 27, 38, 43 Light Source selected in Section K

CHAIN HUNG PENDANT (CN)



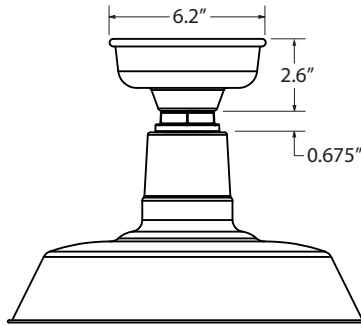
Canopy shown required if LED 11 & 16 Light Source selected in Section K

CORD HUNG PENDANT (C)



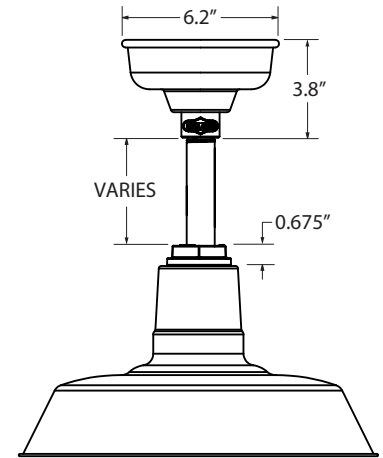
Canopy shown required if LED 11 & 16 Light Source selected in Section K

FLUSH MOUNT (F)



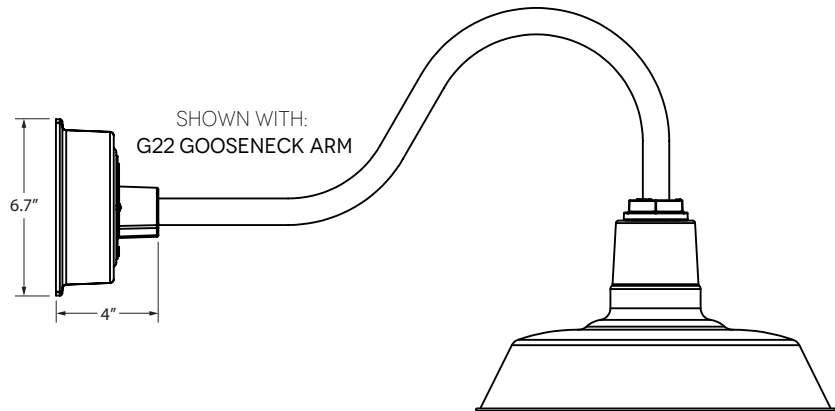
Canopy shown required if LED 11 & 16 Light Source selected in Section K

STEM MOUNT PENDANT (S)

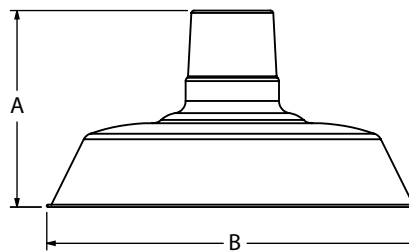


Canopy shown required if LED 11 & 16 Light Source selected in Section K

GOOSENECK (G)



LUMINAIRE DIMENSIONS



| SHADE CODE | HEIGHT (A) | DIAMETER (B) |
|------------|------------|--------------|
| WHS12 | 7" | 12" |
| WHS14 | 7.5" | 14" |
| WHS16 | 7.75" | 16" |
| WHS18 | 8.5" | 18" |
| WHS20 | 9.25" | 20" |

SPECIFICATIONS

CERTIFICATIONS, LISTINGS & WARRANTY

MADE IN THE USA
 Manufactured and Hand-Crafted in Our 60,000 Square Foot Facility
 Located in Titusville, FL

CSA LISTED FOR WET LOCATIONS
 Includes All Gooseneck, Stem and Flush Mounting Styles
 ACR is CSA Listed for Damp Locations for Gooseneck and Stem
 Mounting Styles

CSA LISTED FOR DAMP LOCATIONS
 Includes All Chain and Cord Hung Mounting Styles
 ACR is CSA Listed for Damp Locations for Chain and Cord Hung
 Mounting Styles

LIMITED WARRANTY
 For Additional Information on Our Limited Warranty, Please See
 Our Terms & Conditions

CONSTRUCTION & FINISH

POWDER COAT & MARINE GRADE SHADES
 Hand-Spun from High Purity 3003-O Temper Aluminum

GALVANIZED SHADE
 Hand-Spun from High Quality Galvanized Steel

POWDER COAT FINISHES
 Polyester Powder Coat Finishes Are Electro-Statically Applied and
 Thermocured

MARINE GRADE FINISHES
 Highly Durable, Warrantied Finishes are Electro-Statically Applied
 and Thermocured

COPPER
 Hand-Spun from High Purity C11000-O60 ETP Copper

BRASS
 Hand-Spun from High Purity C2600-O60 Brass

STEM
 1/2" Nominal (0.84" Actual) or 3/4" Nominal (1.05" Actual) Sch 40,
 6063 Aluminum Mounting Stem. Custom Lengths Available upon
 Request.

GOOSENECK
 1/2" Nominal (0.84" Actual) or 3/4" Nominal (1.05" Actual) Sch 40,
 6063 Aluminum Gooseneck

CORD
 Cord Hung Pendants Include 7', 12' or 20' of Cord (Overall Cord
 Length is Measured from Base of Socket and Varies Based on
 Fixture)

CHAIN
 4-Gauge Chain Complete with Quick Link for On-Site Adjustments
 to Chain's Length

LED LIGHT SOURCE

AVAILABLE CCT: 2700K, 3000K, 3500K, 4000K
 90+ CRI

ELECTRICAL/LED DRIVER

POWER FACTOR > 0.9
 EFFICIENCY: UP TO 87% TYPICAL
 INPUT VOLTAGE: 120-277 VAC (SEE DIMMING SECTION)
 CLASS 2 POWER SUPPLY
 LED DRIVER LIFETIME: > 100,000 HOURS (@ 25 DEG C AMBIENT)
 IP64 MINIMUM RATING CASE WITH SILICONE-BASED POTTING

PROTECTIONS
 Output Open Load, Over-Current and Short-Circuit (hiccup), and
 Over-Temperature with Auto Recovery

CONDUCTED AND RADIATED EMI
 Compliant with FCC CFR Title 47 Part 15 Class B (120 Vac), Class A
 (277 Vac) and EN55015 (CISPR 15) at 220, 230 and 240 Vac

COMPLIANT WITH
 Complies with Energy Star® DLR (DesignLight Consortium®) and CA
 Title 24 Technical Requirements

DIMMING

TRI-MODE DIMMING™
 Compatible with TRIAC (forward-phase or leading-edge), ELV
 (reverse-phase or trailing-edge) and 0-10 V Dimmers

DIMMING RANGE 1-100%
 The Dimming Range Is Dependent on Each Specific Dimmer. May
 Not Be Able to Achieve 1% Dimming with Some Dimmers.

TRIAC AND ELV DIMMING ONLY AT 120 VAC

ELV DIMMING AT 230 VAC
 Available by Request

COMPATIBLE DIMMERS
 Consult Factory for Additional Information on Dimming