

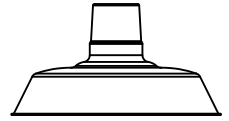


SPS-0111 REV C

THE ORIGINAL™ SERIES

JOB NAME: _____

FIXTURE TYPE: _____



BLE - _____ - _____ - _____ - _____ - _____ - _____ - _____ - _____

A B C D E F G

_____ - _____ - _____ - _____ - _____ - _____ - _____ - _____

H I J K L

Order Example: BLE - G - WHS12 - 600 - G15 - NA - 980 - NA - CGG - 975 - FST - HDBP - E26

A - MOUNTING STYLE

C	Cord Hung
CN	Chain Hung
F	Flush Mount ¹
G	Gooseneck
S	Stem Mount

B - SHADE SIZE**THE ORIGINAL™:**

WHS12	12" Shade
WHS14	14" Shade
WHS16	16" Shade
WHS18	18" Shade
WHS20	20" Shade ²

C - SHADE FINISH**PORCELAIN FINISHES³:**

150	Black
250	White
350	Vintage Green
355	Jadite
455	Cherry Red
550	Yellow
650	Bronze
750	Cobalt Blue
765	Delphite Blue
850	Graphite
950	Metallic Chrome

POWDER COAT FINISHES⁴:

100	Black
105	Textured Black
106	Matte Black
200	White
206	Matte White
300	Dark Green
307	Emerald Green
370	Mint
380	Chartreuse
390	Teal
400	Barn Red
420	Orange
470	Watermelon
480	Blush Pink
490	Magenta
495	Sherbet Orange
500	Buttery Yellow
570	Sunflower
600	Bronze
601	Chocolate
605	Rust

C - SHADE FINISH (CONTINUED)**POWDER COAT FINISHES⁴:**

615	Oil-Rubbed Bronze
700	Royal Blue
705	Navy
790	Lavender
800	Industrial Grey
805	Charcoal Granite
975	Galvanized

NATURAL METALS⁵:

995	Raw Copper
996	Weathered Copper
997	Raw Brass
998	Weathered Brass
999	Oil-Rubbed Copper

D - MOUNTING

Please Note: If Flush Mount [F] is selected in **Section A**, please select **NA**

NA Not Applicable**CSA LISTED CORD OPTIONS:**

SBK	Standard Black
SWH	Standard White
CMG	Grey Cotton
CRZ	Red Chevron
CSB	Black Cloth
CSW	White Cloth
CSR	Red Cloth
CSBB	Black & Brown Cloth
CSRW	Red & White Cloth
CSGW	Gold & White Cloth
CSBG	Black & Gold Cloth
CSBW	Black & White Cloth
CSBP	Black & Pink Cloth
CSUW	Blue & White Cloth

NON-CSA LISTED CORD OPTIONS⁵:

TBK	Black Cotton Twist
TWH	White Cotton Twist
TBR	Brown Cotton Twist
TRD	Red Cotton Twist
TPT	Putty Cotton Twist
TBW	Black & White Twist
TRW	Red & White Twist
TBB	Brown & Beige Twist

CHAIN MOUNT OPTIONS²:

CN36	3' of Chain
CN48	4' of Chain
CN60	5' of Chain

D - MOUNTING (CONTINUED)**CHAIN MOUNT OPTIONS²:****CN72** 6' of Chain**GOOSENECK OPTIONS:**

G1²	G9	G16²	G32
G2²	G10	G17	G34²
G3^{2,7}	G11²	G19²	G35²
G4⁷	G12²	G22	G36²
G5²	G13	G24	G40²
G6	G14	G25	G64²
G7	G15	G26²	G65²
G8			

STEM MOUNT OPTIONS:

ST506	.5" Stem Mount, 6" ²
ST512	.5" Stem Mount, 12" ²
ST518	.5" Stem Mount, 18" ²
ST524	.5" Stem Mount, 24" ²
ST536	.5" Stem Mount, 36" ²
ST548	.5" Stem Mount, 48" ²
ST706	.75" Stem Mount, 6"
ST712	.75" Stem Mount, 12"
ST718	.75" Stem Mount, 18"
ST724	.75" Stem Mount, 24"
ST736	.75" Stem Mount, 36"
ST748	.75" Stem Mount, 48"

E - CORD LENGTH⁸

Please Note: If GU24 is selected in **Section L**, max Cord Length is 12FT

NA	Not Applicable
7FT	7' of Cord
12FT	12' of Cord
20FT	20' of Cord

F - MOUNTING FINISH

Please Note: See **Section C** for Finish Options. 980-Brushed Aluminum is also available for Gooseneck (Except G36, G40, G64, & G65) and Stem mounting styles. If Porcelain Finish is selected, mounting will be powder coat painted-to-match.

- (I) If Cord Hung [C] Mounting Style, selection identifies canopy finish
 (II) If Chain Hung [CN] Mounting Style, selection identifies chain and canopy finish
 (III) If Stem Mount [S] Mounting Style, selection identifies stem and canopy finish
 (IV) If Flush Mount [F] Mounting Style, selection identifies Hex Coupler and Canopy Finish. Natural Metals are not applicable

G - CORDS⁹

Please Note: See **Section D** for all applicable CSA Listed Cord Options for Chain Hung Mounting Style

NA Not Applicable**H - SHADE ACCESSORIES²**

NA	None
ACR	Acrylic Diffuser ^{10,11,12}
WC	Wire Cage ¹¹
TGG	Heavy Duty Guard
CGG	Cast Guard
WGG	Wire Guard

I - SHADE ACCESSORY FINISH

Please Note: See **Section C** for Finish Options. Natural Metals not applicable. If Porcelain Finish is selected, accessory will be powder coat painted-to-match

NA Not Applicable**J - GLASS OPTION¹³**

NA	Not Applicable
CLR	Clear Glass
FST	Frosted Glass
RIB	Ribbed Glass

K - MOUNTING ACCESSORY

NA	None/Not Applicable
HSC	Hang Straight Canopy ^{2,14}
HDSMC	Heavy Duty Stem Mount Canopy ^{2,14}
HDBP	Heavy Duty Backing Plate ^{2,15,16}
DD	Dusk-to-Dawn Photocell ^{15,16}
DBPC	Decorative Backing Plate Cover ^{15,16}
DCHX	Decorative Backing Plate Cover & Hex Cover ^{15,16}

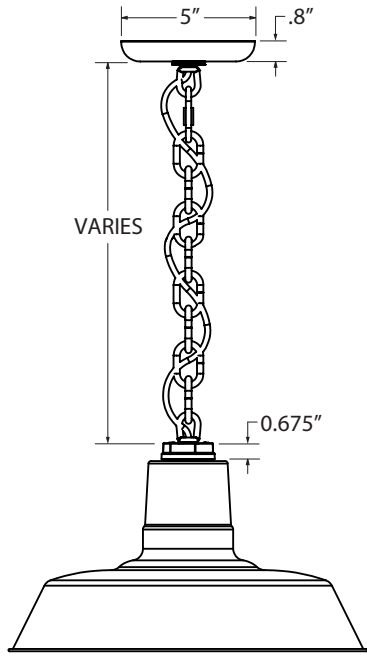
L - LIGHT SOURCE

E26	200 Watt Max
GU24	23 Watt Max ^{1,17}

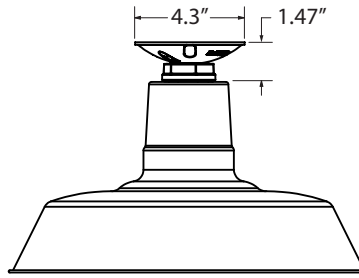
IMPORTANT: (1) Not available with Acrylic Diffuser accessory (2) Not available in Natural Metals (3) All Porcelain Enamel finished shades feature a white interior and a black outer rim (4) All Powder Coat finished shades, Galvanized excluded, feature a white interior (5) Natural Metals have a longer estimated manufacturing time, please check the website for exact lead time. There are no returns accepted on Natural Metals (6) Not Available with Chain Hung [CN] option (7) Not compatible with 16" shade size and larger (8) Only applicable if Cord Hung Mounting Style is selected in Section A, select NA if another Mounting Style is selected (9) Only applicable if Chain Hung Mounting Style selected in Section A, select NA if another Mounting Style is selected (10) Acrylic Diffuser accessory reduces incandescent wattage to 60W (11) Not available with the Guard & Glass Accessory (12) Fixture is UL Listed for Damp Locations with Acrylic Diffuser (13) Guard and Glass accessory reduces incandescent wattage to 100W Max and GU24 Bi-Pin to 18W Max (14) Only applicable if Stem Mounting Style is selected in Section A (15) Only applicable if Gooseneck Mounting Style is selected in Section A (16) Not available with G19 and G40 (17) Fixtures configured with GU24 sockets are non-returnable

MOUNTING STYLE

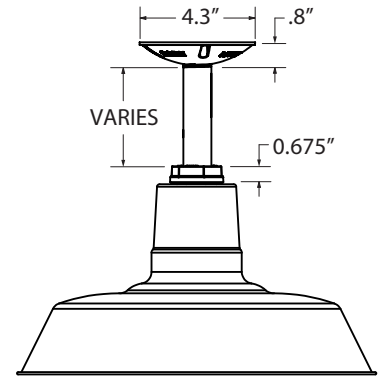
CHAIN HUNG PENDANT (CN)



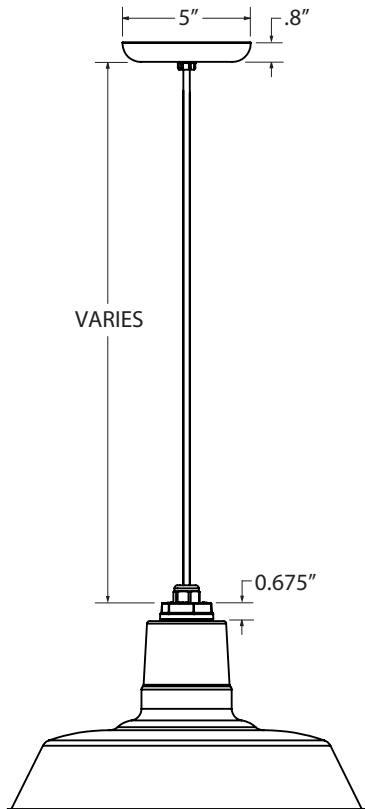
FLUSH MOUNT (F)



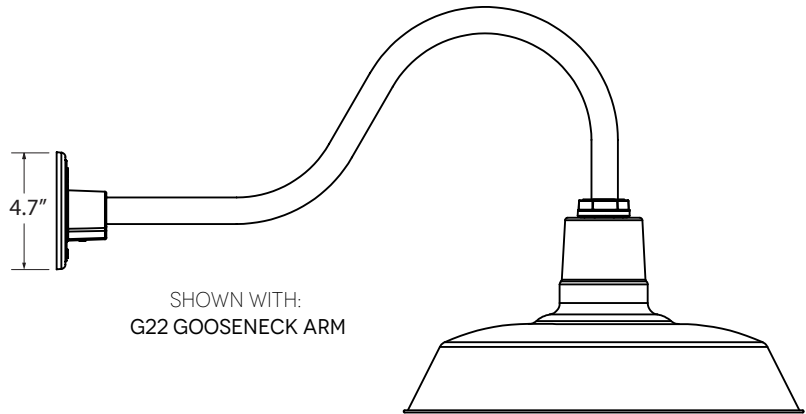
STEM MOUNT PENDANT (S)



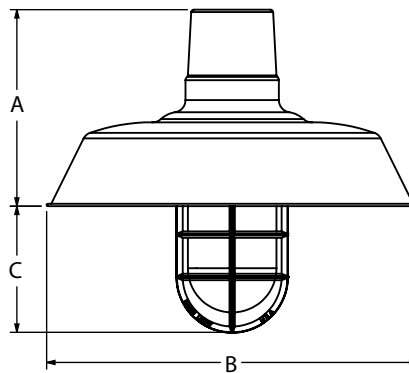
CORD HUNG PENDANT (C)



GOOSENECK (G)



LUMINAIRE DIMENSIONS



SHOWN WITH: OPTIONAL GUARD & GLASS ACCESSORY

SHADE CODE	HEIGHT (A)	DIAMETER (B)	EXTENSION (C)
WHS12	7"	12"	5.1"
WHS14	7.5"	14"	4.8"
WHS16	7.75"	16"	4.4"
WHS18	8.5"	18"	3.6"
WHS20	9.25"	20"	2.9"

SPECIFICATIONS**CERTIFICATIONS, LISTINGS & WARRANTY**

MADE IN THE USA

Manufactured and Hand-Crafted in Our 60,000 Square Foot Facility
Located in Titusville, FL

CSA LISTED FOR WET LOCATIONS

Includes All Gooseneck, Stem and Flush Mounting Styles
ACR UL Listed for Damp Locations for Gooseneck and Stem
Mounting Styles

CSA LISTED FOR DAMP LOCATIONS

Includes All Chain and Select Cord Hung Mounting Styles
ACR UL Listed for Damp Locations

LIMITED WARRANTY

For Additional Information on Our Limited Warranty, Please See
Our Terms & Conditions

UL CERTIFICATION

UL Listed Fixtures Available upon Request. Please Consult Factory
for Additional Information

LIGHT SOURCE

INCANDESCENT

Medium Base E26 Socket, 120 VAC, 200W Max

COMPACT FLUORESCENT

Bi-Pin Base GU24 Socket, 120 VAC, 23W Max

CONSTRUCTION & FINISH

POWDER COAT SHADE

Hand-Spun from High Purity 3003-O Temper Aluminum

GALVANIZED SHADE

Hand-Spun from High Quality Galvanized Steel

PORCELAIN SHADE

Hand-Spun from 20 Gauge Porcelain Steel

POWDER COAT FINISHES

Polyester Powder Coat Finishes Are Electro-Statically Applied and
Thermocured

PORCELAIN FINISHES

Applied by Hand and Fired in a High Temperature Oven

COPPER

Hand-Spun from High Purity C11000-O60 ETP Copper

BRASS

Hand-Spun from High Purity C2600-O60 Brass

STEM

1/2" Nominal (0.84" Actual) or 3/4" Nominal (1.05" Actual) Sch 40,
6063 Aluminum Mounting Stem. Custom Lengths Available upon
Request.

GOOSENECK

1/2" Nominal (0.84" Actual) or 3/4" Nominal (1.05" Actual) Sch 40,
6063 Aluminum Gooseneck

CORD

Cord Hung Pendants Include 7', 12' or 20' of Cord, Max Cord Length
for GU24 is 12FT (Overall Cord Length is Measured from Base of
Socket and Varies Based on Fixture)

CHAIN

4-Gauge Chain Complete with Quick Link for On-Site Adjustments
to Chain's Length